



evertis

SHINHUNG IMPLANT

IMPLANT
CATALOGUE

evertis
SHINHUNG IMPLANT

evertis

evertis
SHINHUNG IMPLANT

evertis

IMPLANT CATALOGUE

01

Implant

| | |
|---------------------------|----|
| evertis Features | 4 |
| Luna S | 10 |
| Sola S | 30 |
| Stella | 38 |
| S-Mono | 50 |
| Customized Abutment | 52 |

02

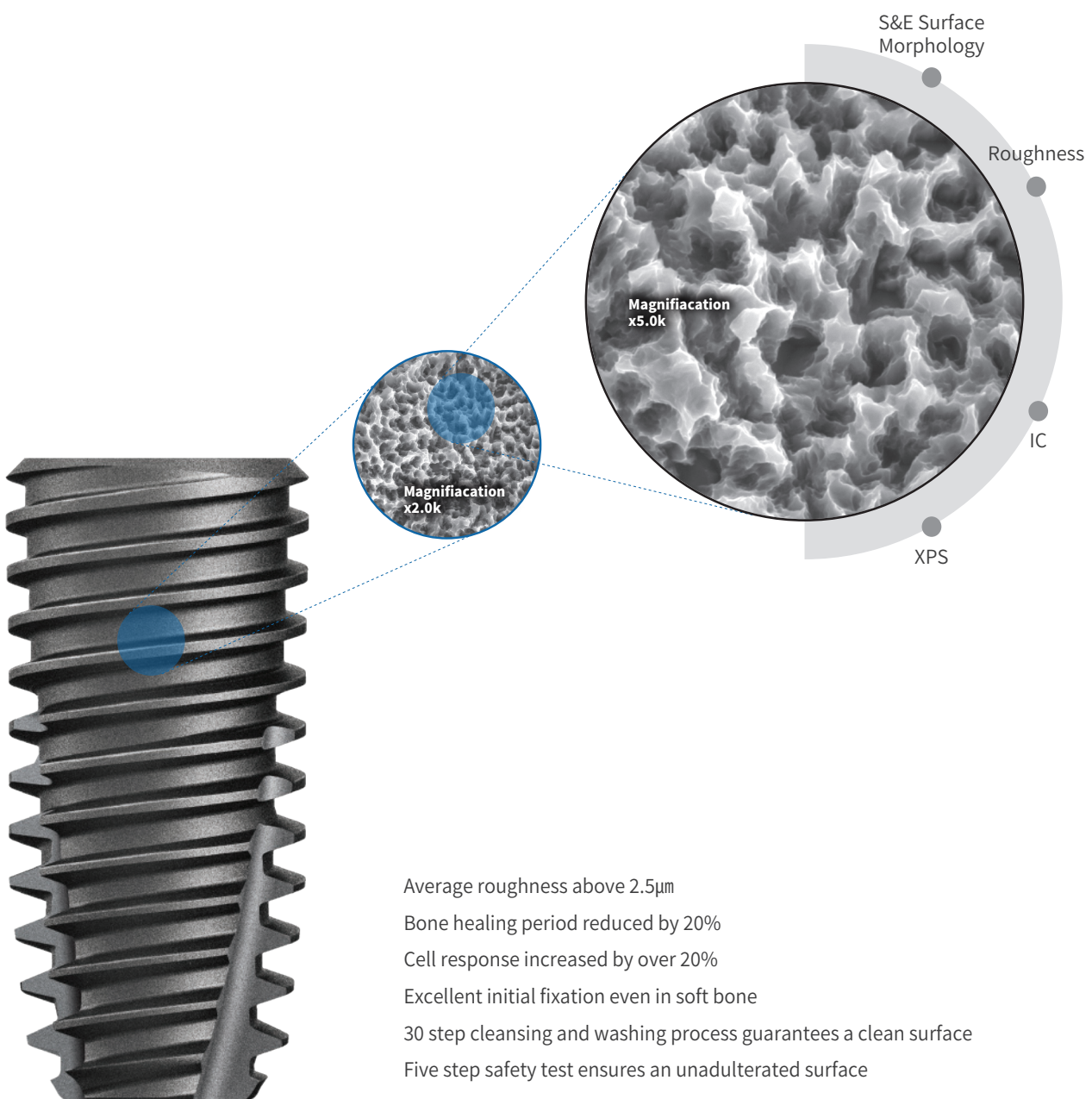
Kit& Instruments

| | |
|---|----|
| Surgical Kit | 54 |
| Standard Kit | 56 |
| Short Drill Kit | 58 |
| S-Guide Kit | 60 |
| SIS Sinus Kit | 62 |
| Implant Guide Kit & Bone Expander Kit | 66 |
| Prosthetic Kit | 67 |
| Universal Prosthetic Kit | 68 |
| Fixture Remover Kit & Screw Remover Kit | 69 |
| Repair Kit | 70 |
| Bone Profiler | 71 |

Implant evertis Features

evertis-s&E Surface

Sand Blasted & Acid Etched



Average roughness above 2.5µm

Bone healing period reduced by 20%

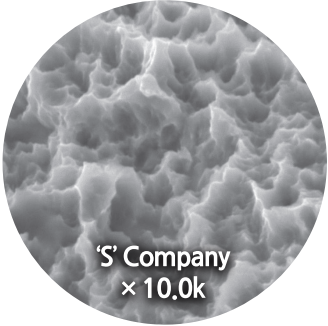
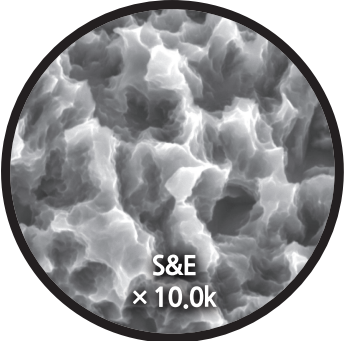
Cell response increased by over 20%

Excellent initial fixation even in soft bone

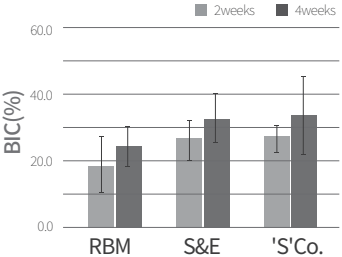
30 step cleansing and washing process guarantees a clean surface

Five step safety test ensures an unadulterated surface

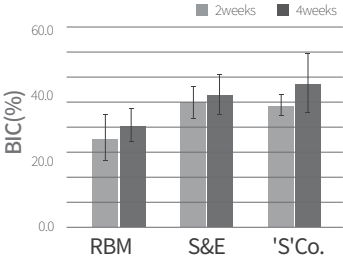
S&E Surface Morphology



BIC (Bone Implant Contact)
New Bone Length / Total Length × 100

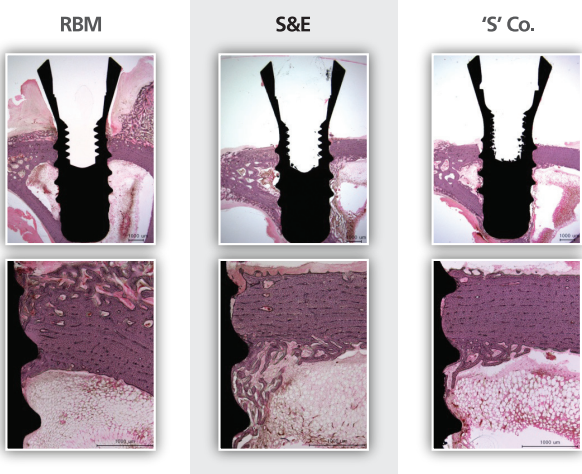


BA (Bone Area)
New Bone Area / Total × 100

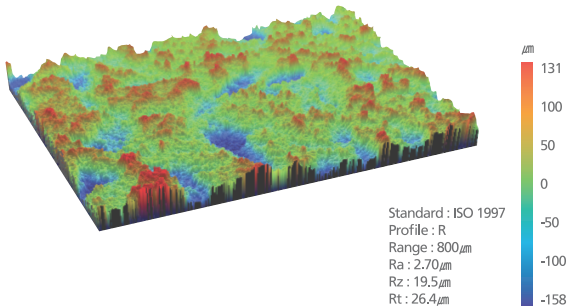


In vivo testing

New Zealand white rabbits, Tibia, n=6 /
Healing periods : 2weeks, 4weeks



Roughness



evertis Features

S Body Design

Tapered - Straight - Tapered

Tapered Section -

Provides firm fixation in Crestal bone

Straight Section -

Provides stability and control of implant depth

Tapered Section -

When matched with the SISK drills, allows for easy depth control and additional stability
Through changes in the drill design, initial fixation is easily obtained even in thin Crestal bone

Clinical Examples



Successful full-arch restoration using **evertis implants** in a 60-year-old female patient with cardiovascular disease and lupus. implants placed at #22, 24, 25, 27.



Full-mouth rehabilitation with **evertis implants** in a 67-year-old female patient with systemic conditions including CVD, diabetes, renal and lung cancer. implants placed at #2-15, and #18-31.





1st Thread

First thread designed to minimize bone loss

Cortical Bone

Thread thickness is increased, improving initial fixation and preventing the need of excessive torque during implantation

Trabecular Bone

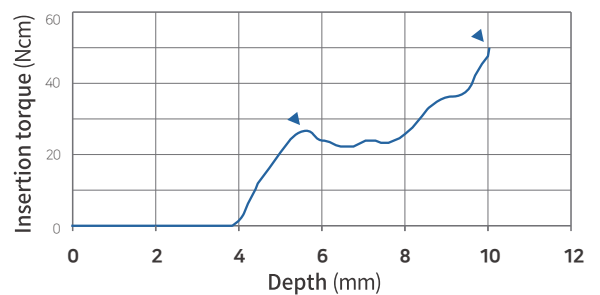
The straight section and lower taper section have a larger bone chip pocket space to increase the clamping force even in cancellous bone

Insertion Torque Test

As initial insertion torque values rise, initial stability increases and when combined with the stability of the S&E surface, loading time is decreased

By tuning the torque characteristics over the entire implant, differences in torque values are minimized

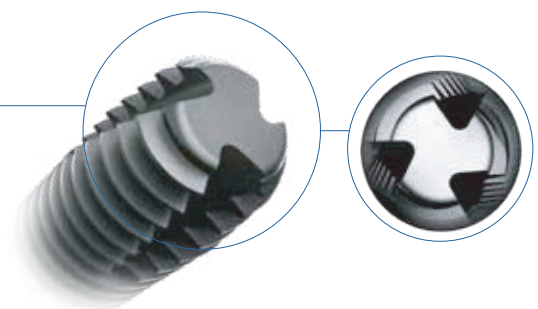
Stability & Stimulation for Torque distribution of implant



Self Cutting Edge

Through the straight cutting edge design, self tapping and path modification are possible

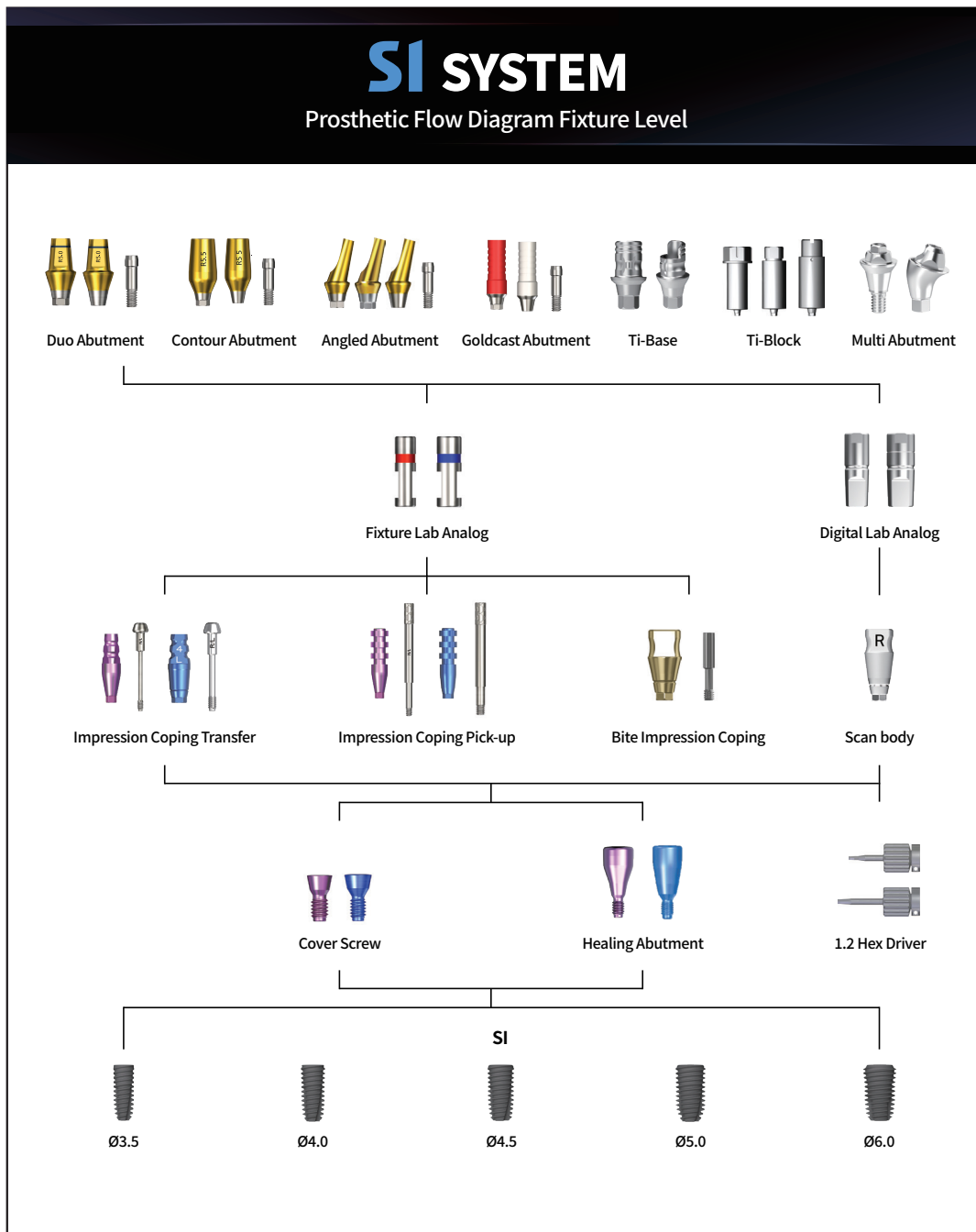
In the 7mm implant, self cutting is minimized through an increase in surface area, increasing stability



Fixture level diagram

SI Fixture

| NP Ø3.5 | RP Ø4.0 | RP Ø4.5 | RP Ø5.0 | RP Ø6.0 |
|---------------------------------|-----------------------------------|-----------------------------------|---------------------------------------|------------------------------------|
| Length(mm) 8.5/10/11.5/13/15 | Length(mm) 7/8.5/10/11.5/13/15 | Length(mm) 7/8.5/10/11.5/13/15 | Length(mm) 6.2/7/8.5/10/11.5/13/15 | Length(mm) 6.2/7/8.5/10/11.5/13 |

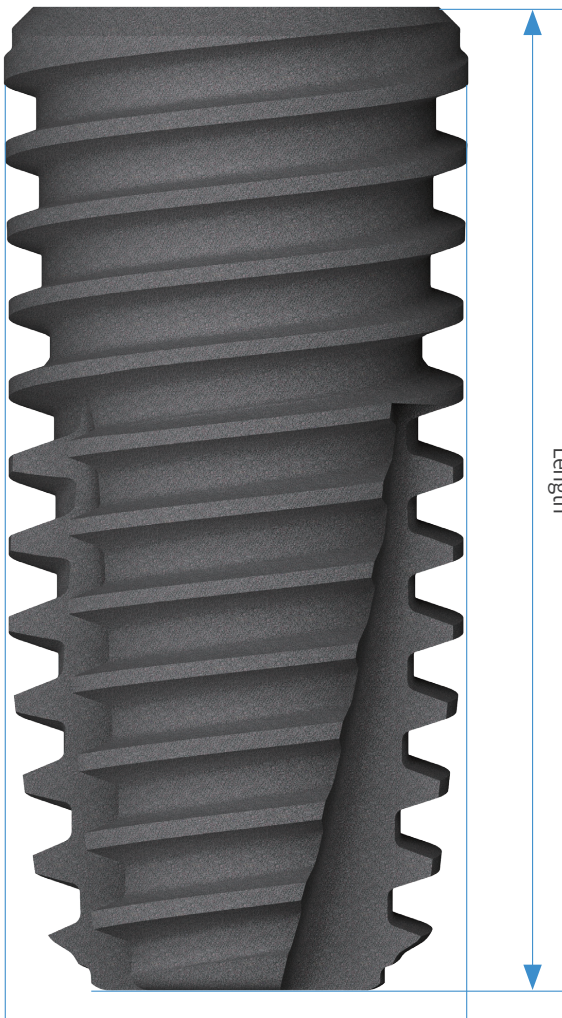


evertis

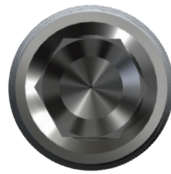
SHINHUNG IMPLANT

01

Implant Luna S



Body Diameter



Conical Hex Connection

NP : 2.1 Hex

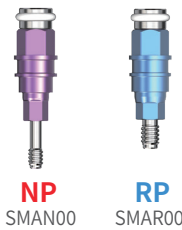
RP : 2.5 Hex



11° Conical Seal Design

11° Conical Seal Design ensures the strong and stable implant-abutment connection, and helps preserve the integrity of the peri-implant tissues

Mount



NP
SMAN00

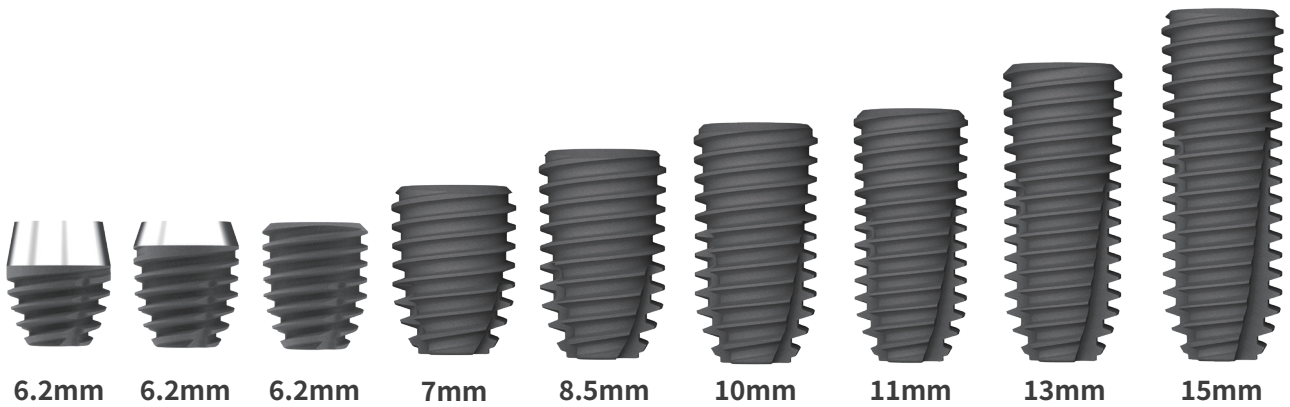
RP
SMAR00

Cover Screw



NP
SCSN00

RP
SCSR00



Fixture



Ø3.5



Ø4.0



Ø4.5



Ø5.0



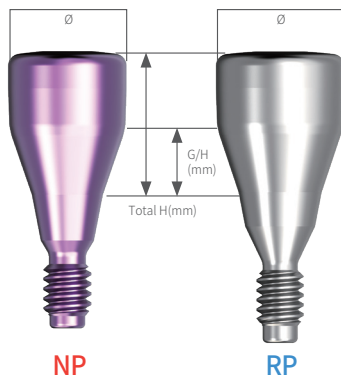
Ø6.0

Length(mm)

| Length(mm) | Mounting Options | NP (Ø3.5) | RP (Ø4.0) | RP (Ø4.5) | RP (Ø5.0) | RP (Ø6.0) |
|------------|---------------------------|-------------------------|-------------------------|-------------------------|-------------------------|-----------------------|
| 6.2 | S&E Mount S&E No Mount | | | | NSIR5004S NSIR5004SF | |
| 6.2 | S&E Mount S&E No Mount | | | | NSIR5005S NSIR5005SF | |
| 6.2 | S&E Mount S&E No Mount | | | | NSIR5006S NSIR5006SF | SIR6006S SIR6006SF |
| 7 | S&E Mount S&E No Mount | | NSIR4007S NSIR4007SF | NSIR4507S NSIR4507SF | NSIR5007S NSIR5007SF | SIR6007S SIR6007SF |
| 8.5 | S&E Mount S&E No Mount | NSIN3508S NSIN3508SF | NSIR4008S NSIR4008SF | NSIR4508S NSIR4508SF | NSIR5008S NSIR5008SF | SIR6008S SIR6008SF |
| 10 | S&E Mount S&E No Mount | NSIN3510S NSIN3510SF | NSIR4010S NSIR4010SF | NSIR4510S NSIR4510SF | NSIR5010S NSIR5010SF | SIR6010S SIR6010SF |
| 11.5 | S&E Mount S&E No Mount | NSIN3511S NSIN3511SF | NSIR4011S NSIR4011SF | NSIR4511S NSIR4511SF | NSIR5011S NSIR5011SF | SIR6011S SIR6011SF |
| 13 | S&E Mount S&E No Mount | NSIN3513S NSIN3513SF | NSIR4013S NSIR4013SF | NSIR4513S NSIR4513SF | NSIR5013S NSIR5013SF | SIR6013S SIR6013SF |
| 15 | S&E Mount S&E No Mount | NSIN3515S NSIN3515SF | NSIR4015S NSIR4015SF | NSIR4515S NSIR4515SF | NSIR5015S NSIR5015SF | |

* For Posterior Single Case, over D4.5 mm is recommended

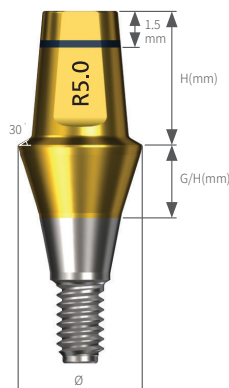
Implant Luna S



Healing Abutment

Recommended tightening torque : below 10Ncm
The real diameter is 0.5mm bigger than the marking.

| T/H | G/H | NP | | RP | | | |
|-----|-----|-----------|-----------|-----------|-----------|-----------|-----------|
| | | Ø4.0 | Ø4.5 | Ø4.0 | Ø4.5 | Ø5.0 | Ø6.0 |
| 4 | 2 | NSHAN4022 | NSHAN4522 | NSHAR4022 | NSHAR4522 | NSHAR5022 | NSHAR6022 |
| 5 | 3 | NSHAN4023 | NSHAN4523 | NSHAR4023 | NSHAR4523 | NSHAR5023 | NSHAR6023 |
| 6 | 3 | NSHAN4033 | NSHAN4533 | NSHAR4033 | NSHAR4533 | NSHAR5033 | NSHAR6033 |
| 7 | 4 | NSHAN4034 | NSHAN4534 | NSHAR4034 | NSHAR4534 | NSHAR5034 | NSHAR6034 |
| 8 | 5 | NSHAN4035 | NSHAN4535 | NSHAR4035 | NSHAR4535 | NSHAR5035 | NSHAR6035 |

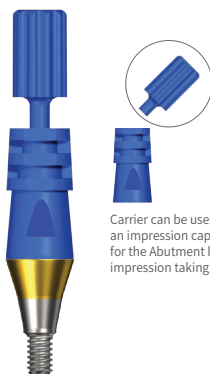


Simple Abutment

Recommended tightening torque : 30Ncm

| | G/H | NP | | RP | | | |
|-------------|-----|-----------|-----------|-----------|-----------|-----------|-----------|
| | | Ø4.0 | Ø4.5 | Ø4.0 | Ø4.5 | Ø5.0 | Ø6.0 |
| H4.0 | 1 | SSPAN4041 | SSPAN4541 | SSPAR4041 | SSPAR4541 | SSPAR5041 | SSPAR6041 |
| | 2 | SSPAN4042 | SSPAN4542 | SSPAR4042 | SSPAR4542 | SSPAR5042 | SSPAR6042 |
| | 3 | SSPAN4043 | SSPAN4543 | SSPAR4043 | SSPAR4543 | SSPAR5043 | SSPAR6043 |
| | 4 | SSPAN4044 | SSPAN4544 | SSPAR4044 | SSPAR4544 | SSPAR5044 | SSPAR6044 |
| | 5 | | | | | SSPAR5045 | SSPAR6045 |
| H5.5 | 1 | SSPAN4051 | SSPAN4551 | SSPAR4051 | SSPAR4551 | SSPAR5051 | SSPAR6051 |
| | 2 | SSPAN4052 | SSPAN4552 | SSPAR4052 | SSPAR4552 | SSPAR5052 | SSPAR6052 |
| | 3 | SSPAN4053 | SSPAN4553 | SSPAR4053 | SSPAR4553 | SSPAR5053 | SSPAR6053 |
| | 4 | SSPAN4054 | SSPAN4554 | SSPAR4054 | SSPAR4554 | SSPAR5054 | SSPAR6054 |
| | 5 | | | | | SSPAR5055 | SSPAR6055 |
| H7.0 | 1 | SSPAN4071 | SSPAN4571 | SSPAR4071 | SSPAR4571 | SSPAR5071 | SSPAR6071 |
| | 2 | SSPAN4072 | SSPAN4572 | SSPAR4072 | SSPAR4572 | SSPAR5072 | SSPAR6072 |
| | 3 | SSPAN4073 | SSPAN4573 | SSPAR4073 | SSPAR4573 | SSPAR5073 | SSPAR6073 |
| | 4 | SSPAN4074 | SSPAN4574 | SSPAR4074 | SSPAR4574 | SSPAR5074 | SSPAR6074 |
| | 5 | | | | | SSPAR5075 | SSPAR6075 |

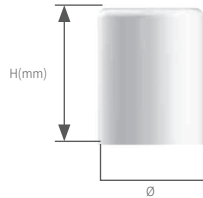
Carrier can be used as an impression cap



Carrier can be used as an impression cap for the Abutment level impression taking

Healing Cap

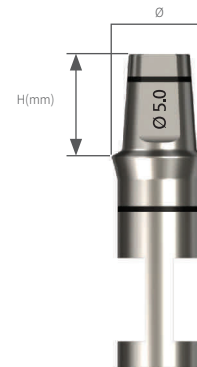
Plastic



| | Ø4.0 | Ø4.5 | Ø5.0 | Ø6.0 |
|-------------|-----------|-----------|-----------|-----------|
| H4.0 | SSAPC4040 | SSAPC4540 | SSAPC5040 | SSAPC6040 |
| H5.5 | SSAPC4055 | SSAPC4555 | SSAPC5055 | SSAPC6055 |
| H7.0 | SSAPC4070 | SSAPC4570 | SSAPC5070 | SSAPC6070 |

Abutment Analog

Titanium



| | Ø4.0 | Ø4.5 | Ø5.0 | Ø6.0 |
|-------------|-----------|-----------|-----------|-----------|
| H4.0 | SSPAA4040 | SSPAA4540 | SSPAA5040 | SSPAA6040 |
| H5.5 | SSPAA4055 | SSPAA4555 | SSPAA5055 | SSPAA6055 |
| H7.0 | SSPAA4070 | SSPAA4570 | SSPAA5070 | SSPAA6070 |

Burnout Cylinder

Plastic



Single

| Diameter | Ø4.0 | Ø4.5 | Ø5.0 | Ø6.0 |
|----------|----------|----------|----------|----------|
| | SSPBC40S | SSPBC45S | SSPBC50S | SSPBC60S |

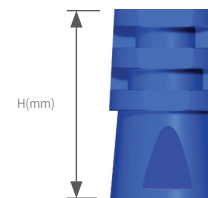


Bridge

| Diameter | Ø4.0 | Ø4.5 | Ø5.0 | Ø6.0 |
|----------|----------|----------|----------|----------|
| | SSPBC40B | SSPBC45B | SSPBC50B | SSPBC60B |

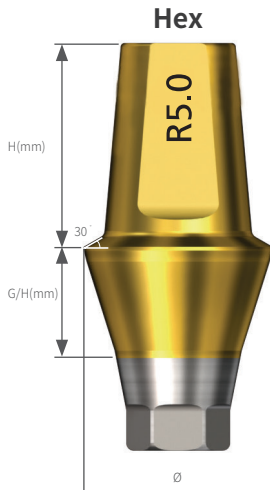
Impression Coping Cap

Plastic



| Diameter | Ø4.0 | Ø4.5 | Ø5.0 | Ø6.0 |
|-------------|------------|------------|------------|------------|
| H5.5 | SSPICC4055 | SSPICC4555 | SSPICC5055 | SSPICC6055 |

Implant Luna S

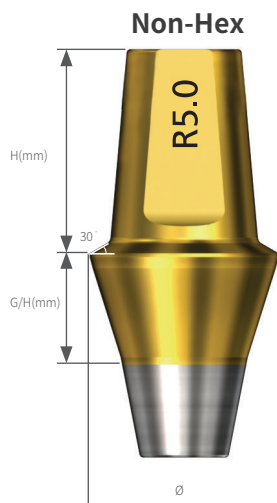


Duo Abutment(Hex)

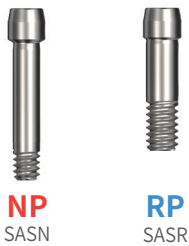
Recommended tightening torque : NP 20Ncm / RP 30Ncm

Hex

| G/H | NP | | RP | | | |
|------|------|-----------|-----------|-----------|-----------|-----------|
| | Ø4.5 | Ø5.0 | Ø4.5 | Ø5.0 | Ø6.0 | |
| H4.0 | 1 | | | SDAR5041H | SDAR6041H | |
| | 2 | | | SDAR5042H | SDAR6042H | |
| | 3 | | | SDAR5043H | SDAR6043H | |
| | 4 | | | SDAR5044H | SDAR6044H | |
| | 5 | | | SDAR5045H | SDAR6045H | |
| H5.5 | 1 | SDAN4551H | SDAN5051H | SDAR4551H | SDAR5051H | SDAR6051H |
| | 2 | SDAN4552H | SDAN5052H | SDAR4552H | SDAR5052H | SDAR6052H |
| | 3 | SDAN4553H | SDAN5053H | SDAR4553H | SDAR5053H | SDAR6053H |
| | 4 | SDAN4554H | SDAN5054H | SDAR4554H | SDAR5054H | SDAR6054H |
| | 5 | | | SDAR4555H | SDAR5055H | SDAR6055H |
| H7.0 | 1 | SDAN4571H | SDAN5071H | SDAR4571H | SDAR5071H | SDAR6071H |
| | 2 | SDAN4572H | SDAN5072H | SDAR4572H | SDAR5072H | SDAR6072H |
| | 3 | SDAN4573H | SDAN5073H | SDAR4573H | SDAR5073H | SDAR6073H |
| | 4 | SDAN4574H | SDAN5074H | SDAR4574H | SDAR5074H | SDAR6074H |
| | 5 | SDAN4575H | SDAN5075H | SDAR4575H | SDAR5075H | SDAR6075H |



Abutment Screw



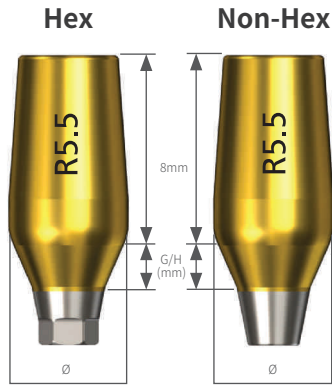
Duo Abutment(Non-Hex)

Recommended tightening torque : NP 20Ncm / RP 30Ncm

Non-Hex

| G/H | NP | | RP | | | |
|------|------|----------|----------|----------|----------|----------|
| | Ø4.5 | Ø5.0 | Ø4.5 | Ø5.0 | Ø6.0 | |
| H4.0 | 1 | | | SDAR5041 | SDAR6041 | |
| | 2 | | | SDAR5042 | SDAR6042 | |
| | 3 | | | SDAR5043 | SDAR6043 | |
| | 4 | | | SDAR5044 | SDAR6044 | |
| | 5 | | | SDAR5045 | SDAR6045 | |
| H5.5 | 1 | SDAN4551 | SDAN5051 | SDAR4551 | SDAR5051 | SDAR6051 |
| | 2 | SDAN4552 | SDAN5052 | SDAR4552 | SDAR5052 | SDAR6052 |
| | 3 | SDAN4553 | SDAN5053 | SDAR4553 | SDAR5053 | SDAR6053 |
| | 4 | SDAN4554 | SDAN5054 | SDAR4554 | SDAR5054 | SDAR6054 |
| | 5 | | | SDAR4555 | SDAR5055 | SDAR6055 |
| H7.0 | 1 | SDAN4571 | SDAN5071 | SDAR4571 | SDAR5071 | SDAR6071 |
| | 2 | SDAN4572 | SDAN5072 | SDAR4572 | SDAR5072 | SDAR6072 |
| | 3 | SDAN4573 | SDAN5073 | SDAR4573 | SDAR5073 | SDAR6073 |
| | 4 | SDAN4574 | SDAN5074 | SDAR4574 | SDAR5074 | SDAR6074 |
| | 5 | SDAN4575 | SDAN5075 | SDAR4575 | SDAR5075 | SDAR6075 |

Implant Luna S



Abutment Screw



Contour Abutment(Hex/Non-Hex)

Recommended tightening torque : NP 20Ncm / RP 30Ncm

Hex

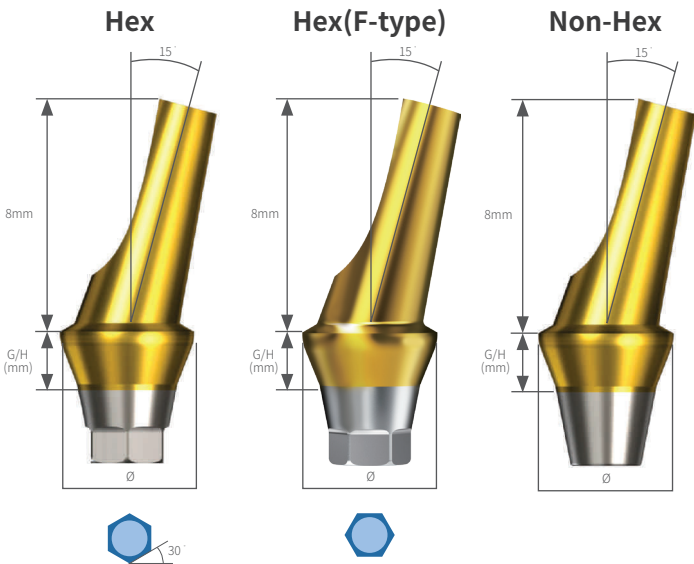
| G/H | NP Ø4.0 | RP Ø4.0 Ø5.5 | |
|-----|------------|--------------------|------------|
| 1.5 | SICAN4015H | SICAR4015H | SICAR5515H |
| 3 | SICAN4030H | SICAR4030H | SICAR5530H |

Non-Hex

| G/H | NP Ø4.0 | RP Ø4.0 Ø5.5 | |
|-----|------------|--------------------|-----------|
| 1.5 | SICAN4015 | SICAR4015 | SICAR5515 |
| 3 | SICAN4030 | SICAR4030 | SICAR5530 |

Angled Abutment(Hex/Non-Hex)

Recommended tightening torque : NP 20Ncm / RP 30Ncm



Abutment Screw



Hex

| 15° G/H | NP Ø4.5 | RP Ø4.5 Ø5.5 | |
|------------|-----------------------------|-----------------------------|-----------------------------|
| 2 | SAA4515N20H SAA4515N20HF | SAA4515R20H SAA4515R20HF | SAA5515R20H SAA5515R20HF |
| 4 | SAA4515N40H SAA4515N40HF | SAA4515R40H SAA4515R40HF | SAA5515R40H SAA5515R40HF |

Non-Hex

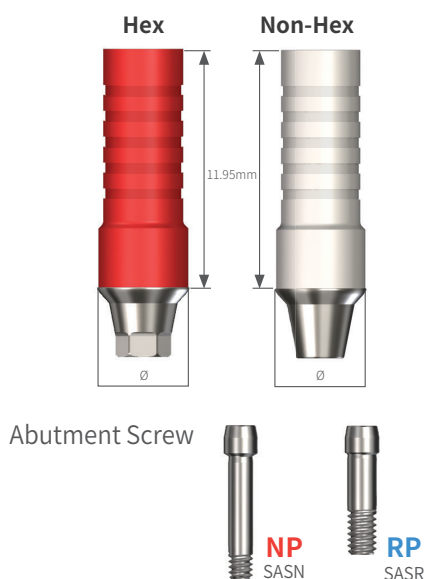
| 15° G/H | NP Ø4.5 | RP Ø4.5 Ø5.5 | |
|------------|------------|--------------------|------------|
| 2 | SAA4515N20 | SAA4515R20 | SAA5515R20 |
| 4 | SAA4515N40 | SAA4515R40 | SAA5515R40 |

Hex

| 25° G/H | NP Ø4.5 | RP Ø4.5 Ø5.5 | |
|------------|-----------------------------|-----------------------------|-----------------------------|
| 2 | SAA4525N20H SAA4525N20HF | SAA4525R20H SAA4525R20HF | SAA5525R20H SAA5525R20HF |
| 4 | SAA4525N40H SAA4525N40HF | SAA4525R40H SAA4525R40HF | SAA5525R40H SAA5525R40HF |

Non-Hex

| 25° G/H | NP Ø4.5 | RP Ø4.5 Ø5.5 | |
|------------|------------|--------------------|------------|
| 2 | SAA4525N20 | SAA4525R20 | SAA5525R20 |
| 4 | SAA4525N40 | SAA4525R40 | SAA5525R40 |



GoldCast Abutment(Hex/Non-Hex)

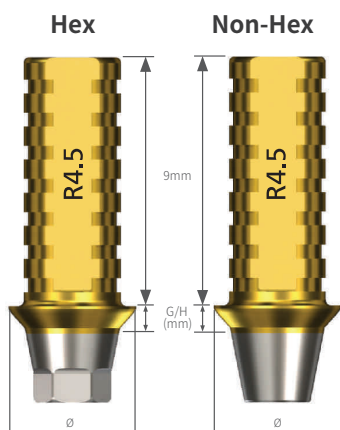
Recommended tightening torque : NP 20Ncm / RP 30Ncm

| Hex | NP | RP |
|-----|------------|------------|
| | Ø4.0 | Ø4.5 |
| | SGCAN4010H | SGCAR4510H |

| Non-Hex | NP | RP |
|---------|-----------|-----------|
| | Ø4.0 | Ø4.5 |
| | SGCAN4010 | SGCAR4510 |

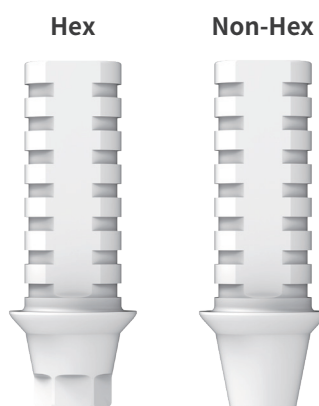
Temporary Abutment(Hex/Non-Hex)

Recommended tightening torque : NP 20Ncm / RP 30Ncm



| Hex | NP | RP | |
|-----|-----------|-----------|-----------|
| | Ø4.0 | Ø4.5 | Ø5.0 |
| G/H | | | |
| 1 | STAN4010H | STAR4510H | |
| 2 | | STAR4520H | STAR5020H |
| 3 | STAN4030H | STAR4530H | STAR5030H |

| Non-Hex | NP | RP | |
|---------|----------|----------|----------|
| | Ø4.0 | Ø4.5 | Ø5.0 |
| G/H | | | |
| 1 | STAN4010 | STAR4510 | |
| 2 | | STAR4520 | STAR5020 |
| 3 | STAN4030 | STAR4530 | STAR5030 |



Plastic Temporary Abutment(Hex/Non-Hex)

| Hex | NP | RP | |
|-----|------------|------------|------------|
| | Ø4.0 | Ø4.5 | Ø5.0 |
| G/H | | | |
| 1 | STAN4010HP | STAR4510HP | |
| 2 | | STAR4520HP | STAR5020HP |
| 3 | STAN4030HP | STAR4530HP | STAR5030HP |

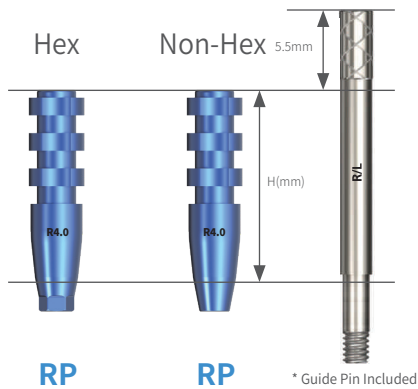
| Non-Hex | NP | RP | |
|---------|-----------|-----------|-----------|
| | Ø4.0 | Ø4.5 | Ø5.0 |
| G/H | | | |
| 1 | STAN4010P | STAR4510P | |
| 2 | | STAR4520P | STAR5020P |
| 3 | STAN4030P | STAR4530P | STAR5030P |



Implant Luna S

Impression Coping (Hex/Non-Hex)

Titanium



Pick-Up

| H | Hex | | Non-Hex | |
|---|-------|------|---------|------|
| | Short | Long | Short | Long |
| | 11 | 15 | 11 | 15 |

Hex

| | NP Ø4.0 | Ø4.0 | RP Ø5.0 | Ø6.0 |
|-------|------------|-----------|------------|-----------|
| Short | SFPUN40HS | SFPUR40HS | SFPUR50HS | SFPUR60HS |
| Long | SFPUN40HL | SFPUR40HL | SFPUR50HL | SFPUR60HL |

Non-Hex

| | NP Ø4.0 | Ø4.0 | RP Ø5.0 | Ø6.0 |
|-------|------------|----------|------------|----------|
| Short | SFPUN40S | SFPUR40S | SFPUR50S | SFPUR60S |
| Long | SFPUN40L | SFPUR40L | SFPUR50L | SFPUR60L |

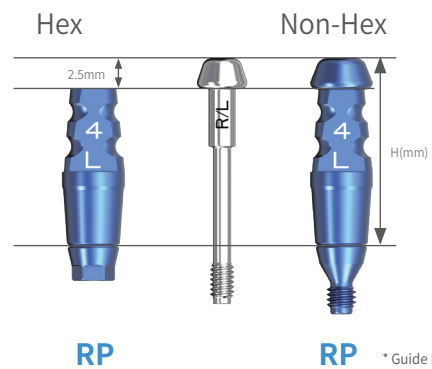
Analog

Titanium



Impression Coping (Hex/Non-Hex)

Titanium



Transfer

| H | Hex | | Non-Hex | |
|---|-------|------|---------|------|
| | Short | Long | Short | Long |
| | 11 | 15 | 11 | 15 |

Hex

| | NP Ø4.0 | Ø4.0 | RP Ø5.0 | Ø6.0 |
|-------|------------|----------|------------|----------|
| Short | SFTN40HS | SFTR40HS | SFTR50HS | SFTR60HS |
| Long | SFTN40HL | SFTR40HL | SFTR50HL | SFTR60HL |

Non-Hex

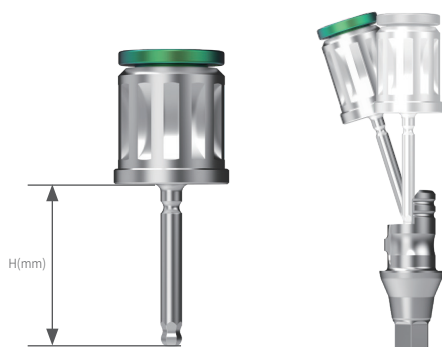
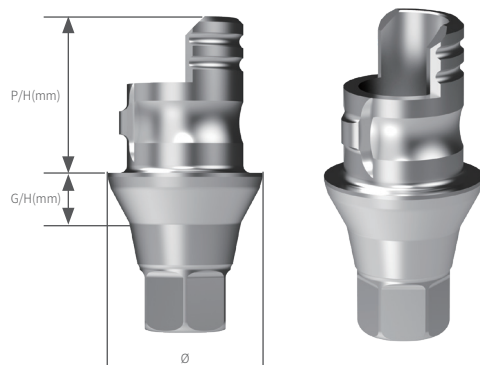
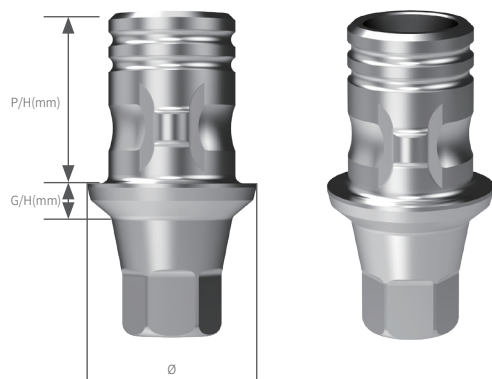
| | NP Ø4.0 | Ø4.0 | RP Ø5.0 | Ø6.0 |
|-------|------------|---------|------------|---------|
| Short | SFTN40S | SFTR40S | SFTR50S | SFTR60S |
| Long | SFTN40L | SFTR40L | SFTR50L | SFTR60L |

evertis

SHINHUNG IMPLANT

Implant Luna S

Ti-Base (Internal-Submerged)



Hex/Full

| | G/H | NP Ø4.0 | RP Ø4.5 |
|---------|-----|------------|------------|
| P/H 4.0 | 1 | STBN4041H | STBR4541H |
| | 2 | STBN4042H | STBR4542H |
| | 3 | STBN4043H | STBR4543H |
| | 4 | STBN4044H | STBR4543H |
| P/H 6.0 | 1 | STBN4061H | STBR4561H |
| | 2 | STBN4062H | STBR4562H |
| | 3 | STBN4063H | STBR4563H |
| | 4 | STBN4064H | STBR4564H |

Non-Hex/Full

| | G/H | NP Ø4.0 | RP Ø4.5 |
|---------|-----|------------|------------|
| P/H 4.0 | 1 | STBN4041 | STBR4541 |
| | 2 | STBN4042 | STBR4542 |
| | 3 | STBN4043 | STBR4543 |
| | 4 | STBN4044 | STBR4543 |
| P/H 6.0 | 1 | STBN4061 | STBR4561 |
| | 2 | STBN4062 | STBR4562 |
| | 3 | STBN4063 | STBR4563 |
| | 4 | STBN4064 | STBR4564 |

Hex/Partial

| | G/H | NP Ø4.0 | RP Ø4.5 |
|---------|-----|------------|------------|
| P/H 4.0 | 1.5 | STBN4041HP | STBR4541HP |

Non-Hex /Partial

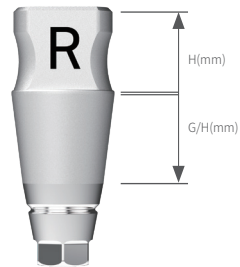
| | G/H | NP Ø4.0 | RP Ø4.5 |
|---------|-----|------------|------------|
| P/H 4.0 | 1.5 | STBN4041P | STBR4541P |

Ti-Base Angle Driver Hex

For angled screw channel

| Hand | T/W |
|------|-------|
| ADHH | ADHTW |

ScanBody



| | NP | RP |
|-----|-----------|-----------|
| H | 4 | |
| G/H | 6 | |
| | SSBN5046H | SSBR5046H |

Digital Lab Analog



| NP | RP |
|--------|--------|
| SDAN35 | SDAR40 |

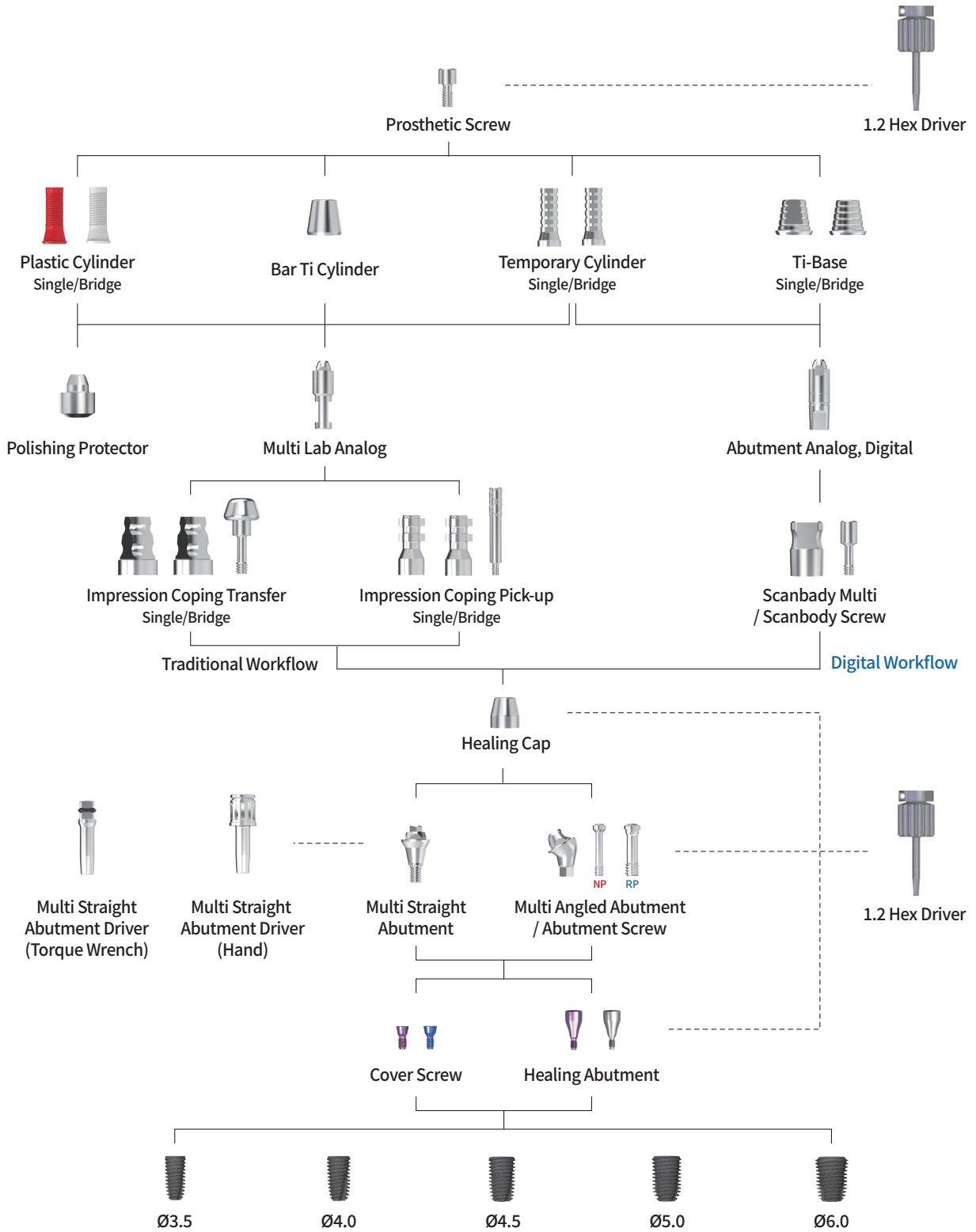
Positioning Driver

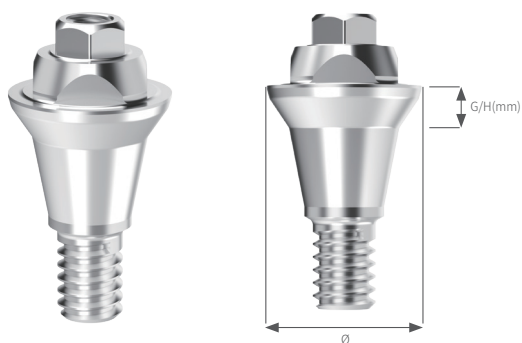


SDADR

Implant Luna S

Multi Abutment System Flow Chart

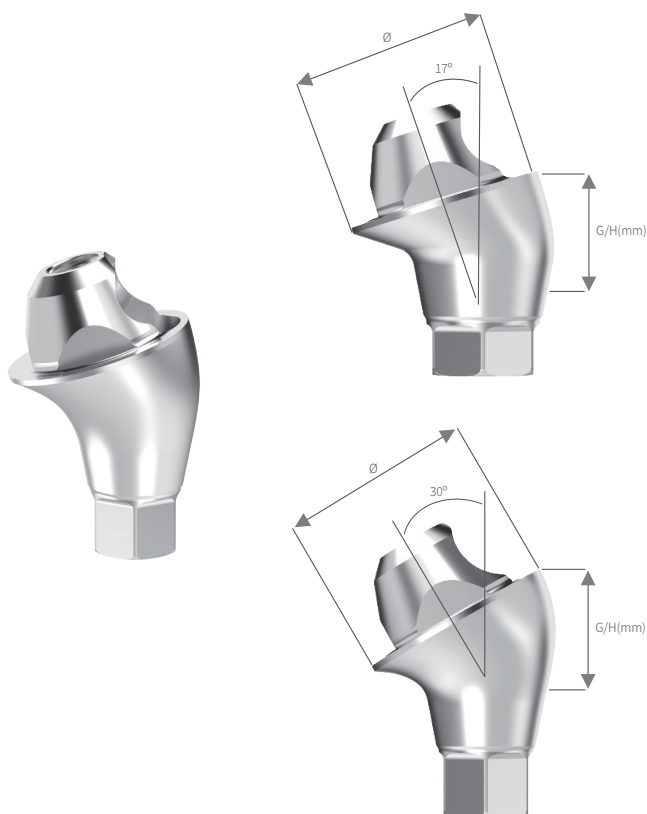




Multi Abutment Carrier Angled

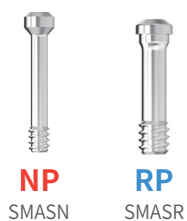


MACA



Multi Abutment Screw

Multi Abutment Carrier Angled



NP
SMASN

RP
SMASR



MACA

Multi Straight Abutment

Multi Abutment Carrier Angled included
Recommended torque: 30Ncm for both

| NP | | RP |
|----------|---------|---------|
| Diameter | Ø4.8 | |
| G/H | Code | |
| 1.5 | SMASN15 | SMASR15 |
| 2.5 | SMASN25 | SMASR25 |
| 3.5 | SMASN35 | SMASR35 |
| 4.5 | | SMASR45 |

Multi Angled Abutment

Multi Abutment Screw included
Multi Abutment Carrier Angled included
Recommended torque: 20Ncm for NP, 30Ncm for RP

| 17° | NP | RP |
|----------|------------|------------|
| Diameter | Ø4.8 | |
| G/H | Code | |
| 2.5 | SMAA17N25H | SMAA17R25H |
| 3.5 | SMAA17N35H | SMAA17R35H |

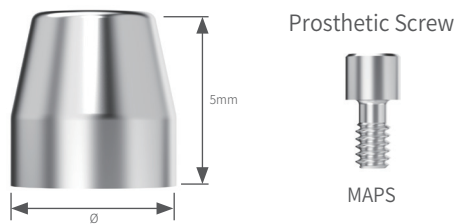
| 30° | NP | RP |
|----------|------------|------------|
| Diameter | Ø4.8 | |
| G/H | Code | |
| 3.5 | SMAA30N35H | SMAA30R35H |
| 4.5 | SMAA30N45H | SMAA30R45H |

01

Implant Luna S

Healing Cap

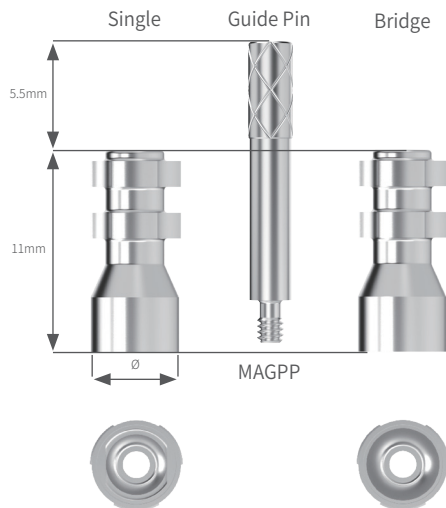
Prosthetic Screw included
Recommended tightening torque: 15Ncm



| | |
|----------|------|
| Diameter | Ø4.8 |
| Code | MAHC |

Impression Coping Pick-up / Multi

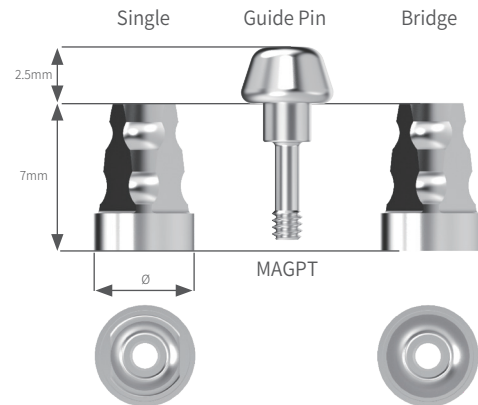
Guide Pin included



| | | |
|----------|--------|--------|
| | Single | Bridge |
| Diameter | Ø4.8 | |
| Length | 16.5mm | |
| Code | MAPUS | MAPUB |

Impression Coping Transfer / Multi

Guide Pin included



| | | |
|----------|--------|--------|
| | Single | Bridge |
| Diameter | Ø4.8 | |
| Length | 9.5mm | |
| Code | MATFS | MATFB |

Multi Lab Analog



| | |
|----------|------|
| Diameter | Ø4.8 |
| Code | MAAA |

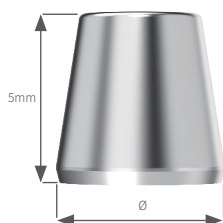
Polishing Protector



| | |
|----------|------|
| Diameter | Ø4.8 |
| Code | MAPP |

Bar Ti Cylinder

Prosthetic Screw included
Recommended tightening torque: 15Ncm



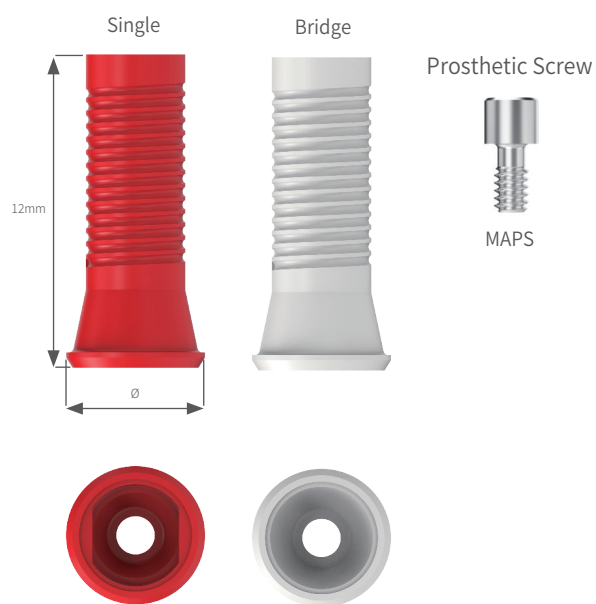
Prosthetic Screw



| | |
|----------|-------|
| Diameter | Ø5.0 |
| Code | MABTC |

Plastic Cylinder

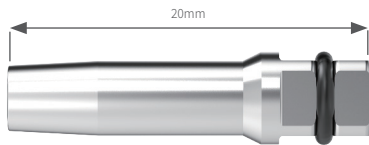
Prosthetic Screw included
Recommended tightening torque: 15Ncm



| | | |
|----------|--------|--------|
| | Single | Bridge |
| Diameter | Ø5.3 | |
| Code | MAPCS | MAPCB |

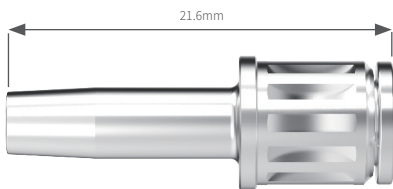
01

Implant Luna S



Multi Straight Abutment Driver - Torque Wrench

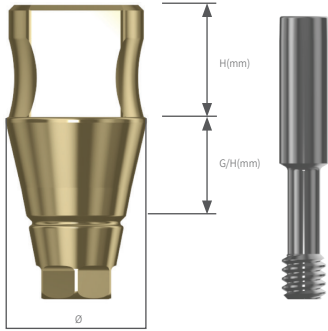
| | |
|--------|-------|
| Length | 20mm |
| Code | MADTW |



Multi Straight Abutment Driver - Hand

| | |
|--------|--------|
| Length | 21.6mm |
| Code | MADH |

Bite Impression Coping (Internal-Submerged)



NP
Ø5.0

| | | | | | |
|------------|-----------|-----------|-----------|-----------|-----------|
| | | | | | |
| H | 4 | 4 | 4 | 6 | 6 |
| G/H | 2 | 3 | 4 | 4 | 6 |
| | SBCN5042H | SBCN5043H | SBCN5044H | SBCN5064H | SBCN5066H |

RP
Ø5.0

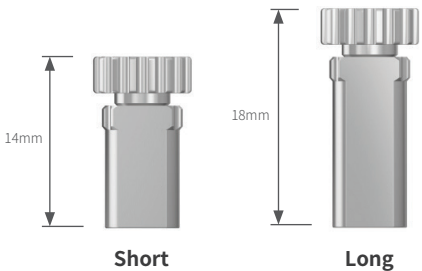
| | | | | | | | |
|------------|-----------|-----------|-----------|-----------|-----------|-----------|-----------|
| | | | | | | | |
| H | 4 | 4 | 4 | 6 | 4 | 6 | 6 |
| G/H | 2 | 3 | 4 | 4 | 5 | 5 | 6 |
| | SBCR5042H | SBCR5043H | SBCR5044H | SBCR5064H | SBCR5045H | SBCR5065H | SBCR5066H |

RP
Ø6.0

| | | | | | | |
|------------|-----------|-----------|-----------|-----------|-----------|-----------|
| | | | | | | |
| H | 4 | 4 | 6 | 4 | 6 | 6 |
| G/H | 3 | 4 | 4 | 5 | 5 | 6 |
| | SBCR6043H | SBCR6044H | SBCR6064H | SBCR6045H | SBCR6065H | SBCR6066H |

Bite Impression Coping Driver

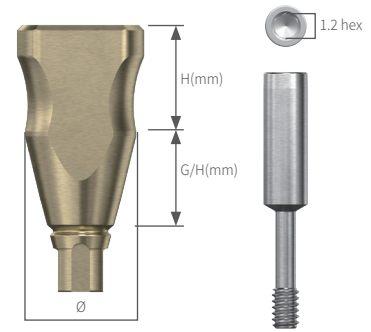
| Type | Short (14mm) | Long (18mm) |
|------|--------------|-------------|
| | BCD14 | BCD18 |



01

Implant Luna S

Straumann BLT (Internal-Submerged)



SC
Ø4.0

| | | | | | |
|------------|------------|------------|------------|------------|------------|
| | | | | | |
| H | 4 | 4 | 4 | 6 | 6 |
| G/H | 2 | 3 | 4 | 4 | 6 |
| | TBBCS4042R | TBBCS4043R | TBBCS4044R | TBBCS4064R | TBBCS4066R |

NC
Ø5.0

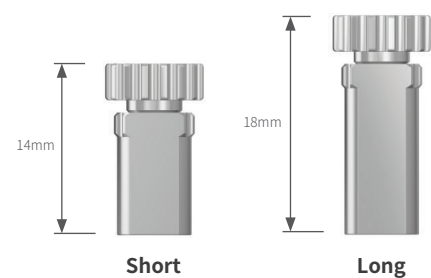
| | | | | | |
|------------|------------|------------|------------|------------|------------|
| | | | | | |
| H | 4 | 4 | 4 | 6 | 6 |
| G/H | 2 | 3 | 4 | 4 | 6 |
| | TBBCN5042R | TBBCN5043R | TBBCN5044R | TBBCN5064R | TBBCN5066R |

RC
Ø5.0

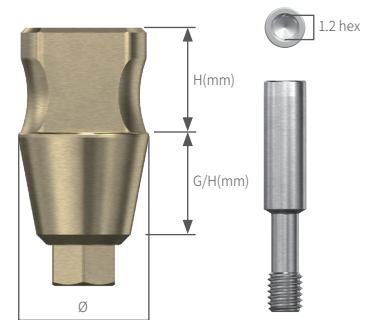
| | | | | | | | |
|------------|------------|------------|------------|------------|------------|------------|------------|
| | | | | | | | |
| H | 4 | 4 | 4 | 6 | 4 | 6 | 6 |
| G/H | 2 | 3 | 4 | 4 | 5 | 5 | 6 |
| | TBBCR5042R | TBBCR5043R | TBBCR5044R | TBBCR5064R | TBBCR5045R | TBBCR5065R | TBBCR5066R |

Bite Impression Coping Driver

| Type | Short (14mm) | Long (18mm) |
|------|--------------|-------------|
| | BCD14 | BCD18 |



Zimmer TSV (Internal-Submerged)



3.5D
Ø5.0

| | | | | | |
|------------|------------|------------|------------|------------|------------|
| | | | | | |
| H | 4 | 4 | 4 | 6 | 6 |
| G/H | 2 | 3 | 4 | 4 | 6 |
| | ZTBC35042H | ZTBC35043H | ZTBC35044H | ZTBC35064H | ZTBC35066H |

4.5D
Ø5.0

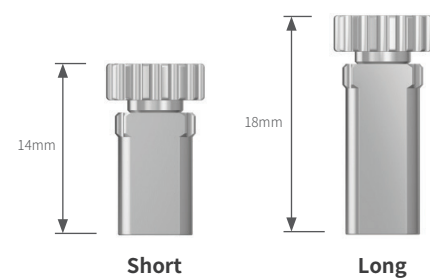
| | | | | | | | |
|------------|------------|------------|------------|------------|------------|------------|------------|
| | | | | | | | |
| H | 4 | 4 | 4 | 6 | 4 | 6 | 6 |
| G/H | 2 | 3 | 4 | 4 | 5 | 5 | 6 |
| | ZTBC45042H | ZTBC45043H | ZTBC45044H | ZTBC45045H | ZTBC45064H | ZTBC45065H | ZTBC45066H |

5.7D
Ø6.5

| | | | | | | | |
|------------|------------|------------|------------|------------|------------|------------|------------|
| | | | | | | | |
| H | 4 | 4 | 4 | 6 | 4 | 6 | 6 |
| G/H | 2 | 3 | 4 | 4 | 5 | 5 | 6 |
| | ZTBC56042H | ZTBC56043H | ZTBC56044H | ZTBC56045H | ZTBC56064H | ZTBC56065H | ZTBC56066H |

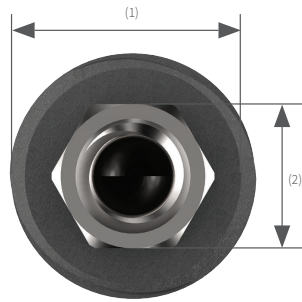
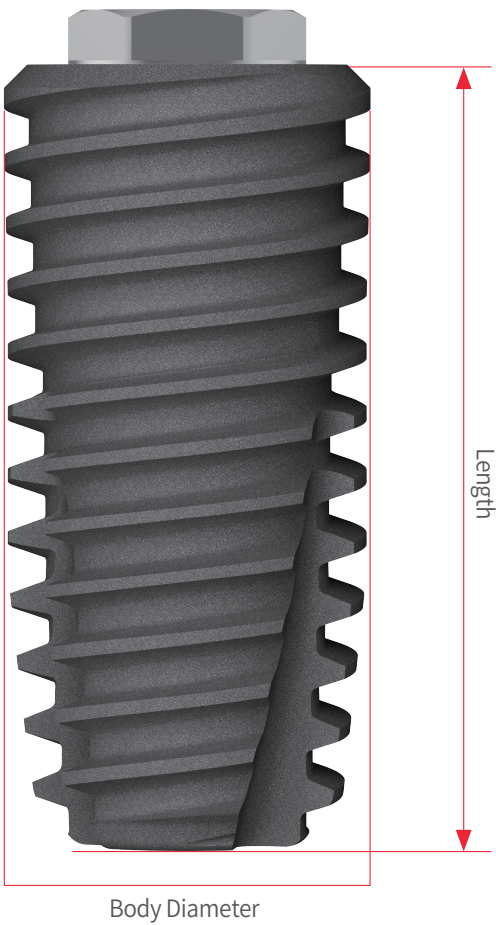
Bite Impression Coping Driver

| Type | Short (14mm) | Long (18mm) |
|------|--------------|-------------|
| | BCD14 | BCD18 |



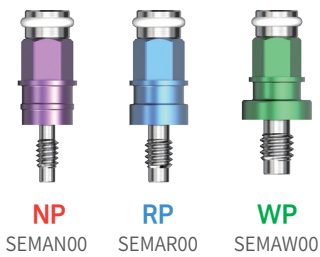
01

Implant Sola S

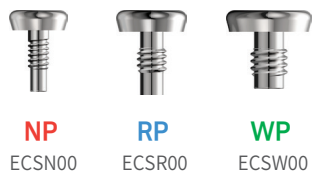


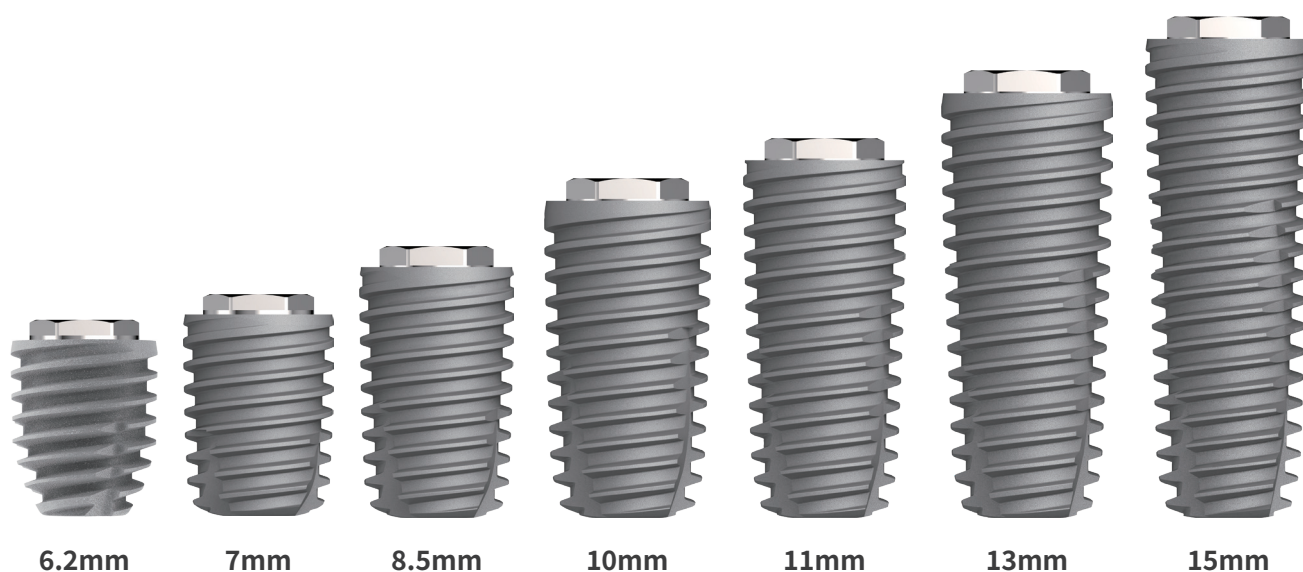
| Fixture Diameter(mm) | NP Ø3.5 | RP Ø4.0 | RP Ø4.5 | WP Ø5.0 | PS Ø5.0 |
|----------------------------|------------|------------|------------|------------|------------|
| Length(mm) | | | | | |
| (1) Platform Diameter (mm) | 3.5 | 4.1 | 4.1 | 5.1 | 5.0 |
| (2) Hex Size (mm) | 2.4 | 2.7 | 2.7 | 3.4 | 2.7 |
| Hex Height (mm) | 0.7 | | | | |

Mount








Cover Screw

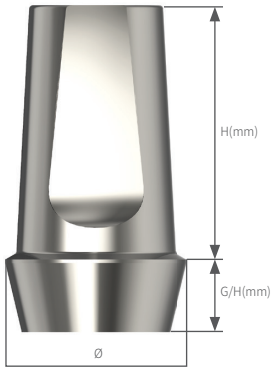
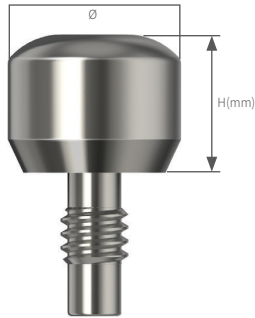




Fixture

| | |  NP |  RP |  RP |  WP |  PS |
|------------|-----------|--|--|--|--|--|
| | | Ø3.5 | Ø4.0 | Ø4.5 | Ø5.0 | Platform Switching Ø5.0 |
| Length(mm) | | | | | | |
| 6.2 | S&E Mount | | | | NSEW5006S | NSEP5006S |
| 7 | S&E Mount | | NSER4007S | NSER4507S | NSEW5007S | NSEP5007S |
| 8.5 | S&E Mount | NSEN3508S | NSER4008S | NSER4508S | NSEW5008S | NSEP5008S |
| 10 | S&E Mount | NSEN3510S | NSER4010S | NSER4510S | NSEW5010S | NSEP5010S |
| 11.5 | S&E Mount | NSEN3511S | NSER4011S | NSER4511S | NSEW5011S | NSEP5011S |
| 13 | S&E Mount | NSEN3513S | NSER4013S | NSER4513S | NSEW5013S | |
| 15 | S&E Mount | NSEN3515S | NSER4015S | NSER4515S | NSEW5015S | |

Implant Sola S



Healing Abutment

Recommended tightening torque: below 10Ncm

| H | NP Ø4.0 | RP Ø5.0 | Ø6.0 | WP Ø6.0 | Ø7.0 | Ø8.0 |
|---|------------|------------|---------|------------|---------|---------|
| 2 | | | | EHAW620 | EHAW720 | EHAW820 |
| 3 | EHAN430 | EHAR530 | EHAR630 | EHAW630 | EHAW730 | EHAW830 |
| 4 | EHAN440 | EHAR540 | EHAR640 | EHAW640 | EHAW740 | EHAW840 |
| 5 | EHAN450 | EHAR550 | EHAR650 | EHAW650 | EHAW750 | EHAW850 |
| 7 | EHAN470 | EHAR570 | EHAR670 | | | |

Esthetic Abutment(Hex/Non-Hex)

Recommended tightening torque : NP 20Ncm / RP&WP 30Ncm

Hex

| G/H | NP Ø4.0 | RP Ø5.0 | Ø6.0 | WP Ø6.0 | Ø7.0 | PS Ø6.0 |
|------|------------|------------|-----------|------------|-----------|------------|
| H4.0 | 1 | EEAR5041H | | EEAW6041H | | |
| | 2 | EEAR5042H | | EEAW6042H | | |
| | 3 | EEAR5043H | | EEAW6043H | | |
| | 4 | EEAR5044H | | EEAW6044H | | |
| H5.5 | 1 | EEAR5051H | EEAR6051H | EEAW6051H | EEAW7051H | |
| | 2 | EEAR5052H | EEAR6052H | EEAW6052H | EEAW7052H | |
| | 3 | EEAR5053H | EEAR6053H | EEAW6053H | EEAW7053H | |
| | 4 | EEAR5054H | EEAR6054H | EEAW6054H | EEAW7054H | |
| H7.0 | 1 | EEAR5071H | | EEAW6071H | | |
| | 2 | EEAN4072H | EEAR5072H | EEAW6072H | | |
| | 3 | | EEAR5073H | EEAW6073H | | |
| | 4 | EEAN4074H | EEAR5074H | EEAW6074H | | |
| H8.0 | 2 | | | | | EEAP620H |
| | 4 | | | | | EEAP640H |

Non-Hex

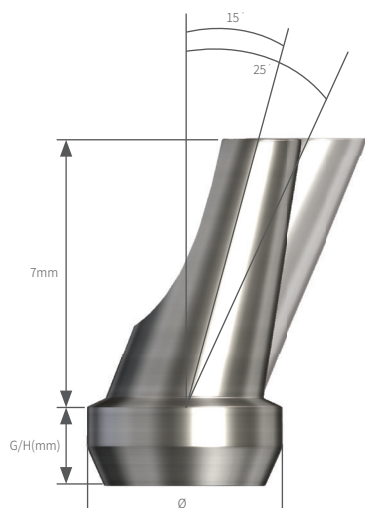
| G/H | NP Ø4.0 | RP Ø5.0 | Ø6.0 | WP Ø6.0 | Ø7.0 | PS Ø6.0 |
|------|------------|------------|----------|------------|----------|------------|
| H4.0 | 1 | EEAR5041 | | | | |
| | 2 | EEAR5042 | | | | |
| | 3 | EEAR5043 | | | | |
| | 4 | EEAR5044 | | | | |
| H5.5 | 1 | EEAR5051 | EEAR6051 | EEAW6051 | EEAW7051 | |
| | 2 | EEAR5052 | EEAR6052 | EEAW6052 | EEAW7052 | |
| | 3 | EEAR5053 | EEAR6053 | EEAW6053 | EEAW7053 | |
| | 4 | EEAR5054 | EEAR6054 | EEAW6054 | EEAW7054 | |
| H7.0 | 1 | EEAR5071 | | | | |
| | 2 | EEAN4072 | EEAR5072 | | | |
| | 3 | | EEAR5073 | | | |
| | 4 | EEAN4074 | EEAR5074 | | | |
| H8.0 | 2 | | | | | EEAP620 |
| | 4 | | | | | EEAP640 |

Abutment Screw



Angled Abutment(Hex/15°/25°)

Recommended tightening torque : NP 20Ncm / RP&WP 30Ncm

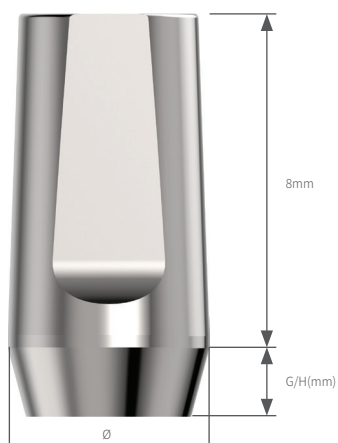


| 15° | NP | RP | WP | PS |
|-----|----------|-----------|-----------|-----------|
| G/H | Ø4.0 | Ø5.0 | Ø6.0 | Ø6.0 |
| 2 | EAN4215H | EAAR5215H | EAAW6215H | EAAP6215H |
| 4 | EAN4415H | EAAR5415H | EAAW6415H | EAAP6415H |

| 25° | NP | RP | WP | PS |
|-----|----------|-----------|-----------|-----------|
| G/H | Ø4.0 | Ø5.0 | Ø6.0 | Ø6.0 |
| 2 | EAN4225H | EAAR5225H | EAAW6225H | EAAP6225H |
| 4 | EAN4425H | EAAR5425H | EAAW6425H | EAAP6425H |

Contour Abutment(Hex/Non-Hex)

Recommended tightening torque : NP 20Ncm / RP&WP 30Ncm



Hex

| | NP | RP | WP | PS | |
|-----|----------|----------|----------|----------|----------|
| G/H | Ø4.0 | Ø5.0 | Ø6.0 | Ø6.0 | |
| 1 | ECAN410H | ECAR510H | ECAR610H | ECAW610H | ECAP610H |
| 2 | ECAN420H | ECAR520H | ECAR620H | ECAW620H | ECAP620H |
| 3 | ECAN430H | ECAR530H | ECAR630H | ECAW630H | ECAP630H |
| 4 | ECAN440H | ECAR540H | ECAR640H | ECAW640H | ECAP640H |

Non-Hex

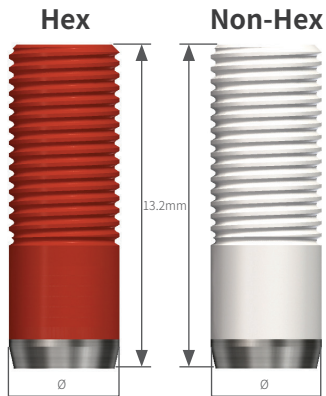
| | NP | RP | WP | PS | |
|-----|---------|---------|---------|---------|---------|
| G/H | Ø4.0 | Ø5.0 | Ø6.0 | Ø6.0 | |
| 1 | ECAN410 | ECAR510 | ECAR610 | ECAW610 | ECAP610 |
| 2 | ECAN420 | ECAR520 | ECAR620 | ECAW620 | ECAP620 |
| 3 | ECAN430 | ECAR530 | ECAR630 | ECAW630 | ECAP630 |
| 4 | ECAN440 | ECAR540 | ECAR640 | ECAW640 | ECAP640 |

Abutment Screw



01

Implant Sola S

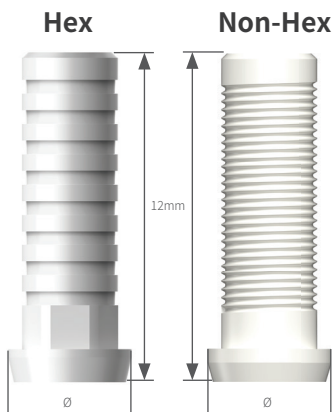


Goldcast Abutment(Hex/Non-Hex)

Recommended tightening torque : NP 20Ncm / RP&WP 30Ncm

| Hex | NP | RP | WP |
|-----|-------------------|-------------------|-------------------|
| | $\varnothing 4.0$ | $\varnothing 4.5$ | $\varnothing 5.5$ |
| | EGCN40HA | EGCR45HA | EGCW55HA |

| Non-Hex | NP | RP | WP |
|---------|-------------------|-------------------|-------------------|
| | $\varnothing 4.0$ | $\varnothing 4.5$ | $\varnothing 5.5$ |
| | EGCN40A | EGCR45A | EGCW55A |

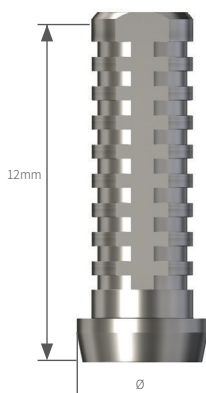


Plastic Abutment(Hex/Non-Hex)

Recommended tightening torque : NP 20Ncm / RP&WP 30Ncm

| Hex | NP | RP | WP |
|-----|-------------------|-------------------|-------------------|
| | $\varnothing 4.0$ | $\varnothing 4.5$ | $\varnothing 5.5$ |
| | EPAN40H | EPAR45H | EPAW55H |

| Non-Hex | NP | RP | WP |
|---------|-------------------|-------------------|-------------------|
| | $\varnothing 4.0$ | $\varnothing 4.5$ | $\varnothing 5.5$ |
| | EPAN40 | EPAR45 | EPAW55 |



Temporary Abutment(Hex/Non-Hex)

Recommended tightening torque : NP 20Ncm / RP&WP 30Ncm

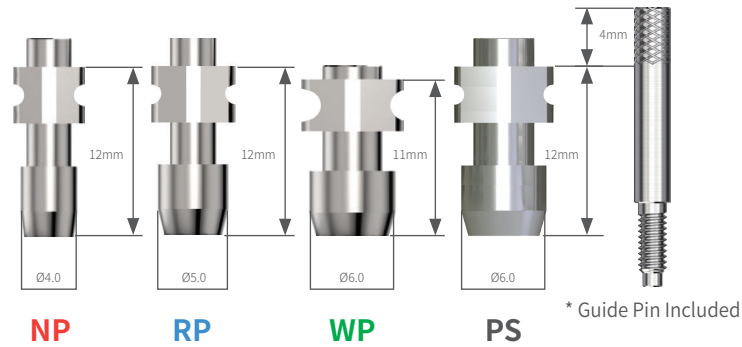
| Hex | NP | RP | WP | PS |
|-----|-------------------|-------------------|-------------------|-------------------|
| | $\varnothing 4.0$ | $\varnothing 4.5$ | $\varnothing 5.5$ | $\varnothing 5.5$ |
| | ETAN40H | ETAR45H | ETAW55H | ETAP55H |

| Non-Hex | NP | RP | WP | PS |
|---------|-------------------|-------------------|-------------------|-------------------|
| | $\varnothing 4.0$ | $\varnothing 4.5$ | $\varnothing 5.5$ | $\varnothing 5.5$ |
| | ETAN40 | ETAR45 | ETAW55 | ETAP55 |

Abutment Screw



Impression Coping(Hex/Non-Hex) Pick-Up



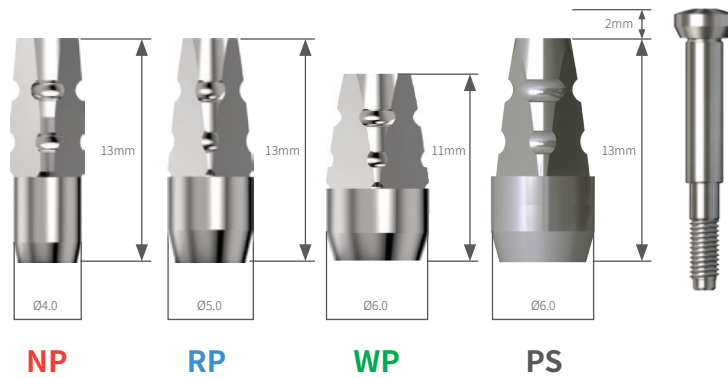
Hex

| NP | RP | WP | PS |
|----------|----------|----------|----------|
| Ø4.0 | Ø5.0 | Ø6.0 | Ø6.0 |
| EICPUN0H | EICPUR0H | EICPUW0H | EICPUP0H |

Non-Hex

| NP | RP | WP | PS |
|---------|---------|---------|---------|
| Ø4.0 | Ø5.0 | Ø6.0 | Ø6.0 |
| EICPUN0 | EICPUR0 | EICPUW0 | EICPUP0 |

Impression Coping(Hex/Non-Hex) Transfer



Hex

| NP | RP | WP | PS |
|---------|---------|---------|---------|
| Ø4.0 | Ø5.0 | Ø6.0 | Ø6.0 |
| EICTN0H | EICTR0H | EICTW0H | EICTP0H |

Non-Hex

| NP | RP | WP | PS |
|--------|--------|--------|--------|
| Ø4.0 | Ø5.0 | Ø6.0 | Ø6.0 |
| EICTN0 | EICTR0 | EICTW0 | EICTP0 |

Analog

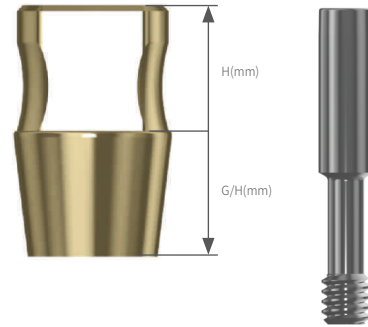


| NP | RP | WP | PS |
|-------|-------|-------|-------|
| EFA33 | EFA40 | EFA50 | EFA50 |

01

Implant Sola S

Bite Impression Coping (External)



NP **WP**
Ø5.0



| | | | | |
|-----|-----------|-----------|-----------|-----------|
| H | 4 | 4 | 6 | 6 |
| G/H | 2 | 4 | 4 | 6 |
| | EBCN5042H | EBCN5044H | EBCN5064H | EBCN5066H |
| | EBCW5042H | EBCW5044H | EBCW5064H | EBCW5066H |

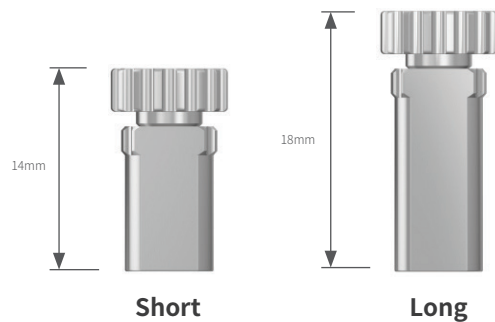
RP
Ø5.0



| | | | | | | |
|-----|-----------|-----------|-----------|-----------|-----------|-----------|
| H | 4 | 4 | 6 | 4 | 6 | 6 |
| G/H | 2 | 3 | 3 | 4 | 4 | 6 |
| | EBCR5042H | EBCR5043H | EBCR5063H | EBCR5044H | EBCR5064H | EBCR5066H |

Bite Impression Coping Driver

| Type | Short (14mm) | Long (18mm) |
|------|--------------|-------------|
| | BCD14 | BCD18 |



Digital Lab Analog



| NP | RP | WP |
|--------|--------|--------|
| EDAN33 | EDAR40 | EDAW50 |

Positioning Driver

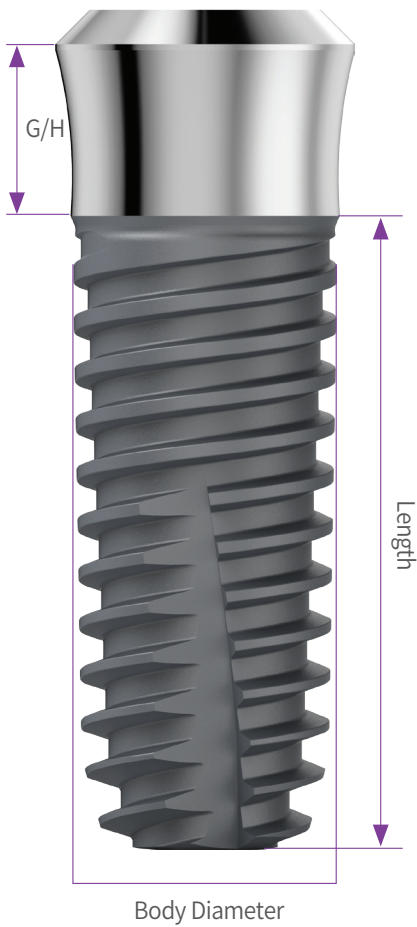


| NP | RP | WP |
|-------|-------|-------|
| EDADN | EDADR | EDADW |



01

Implant Stella



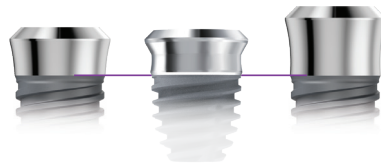
Conical Octa Connection

2.9 Octa



Conical Seal Design (8°)

Conical Seal Design (8°) ensures the strong and stable implant-abutment connection, and helps preserve the integrity of the peri-implant tissues



1.8/2.0/2.8mm Gingiva Height

Mount



Cover Screw



Closing Screw



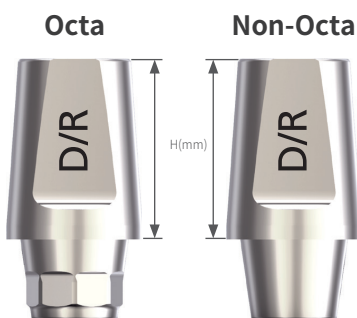
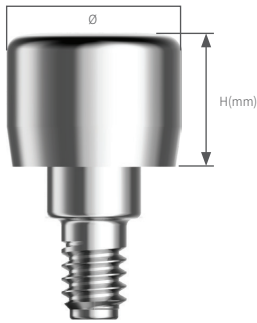


Fixture

| | | RP Ø4.8 (Regular Platform) | | | | WP Ø6.0 (Wide Platform) | |
|----------|---------------------------|-------------------------------|-------------------------|-------------------------|-------------------------|----------------------------|---------------------------|
| | | RP | RP | RP | RP | WP | WP |
| | | Ø4.0 | | Ø4.5 | | Ø4.5 | Ø5.0 |
| Body Dia | G/H(mm) | 1.8 | 2.8 | 1.8 | 2.8 | 2.0 | 2.0 |
| 6.2 | S&E Mount S&E No Mount | | | | | | NSTW5005SS NSTW5005SSF |
| 6.2 | S&E Mount S&E No Mount | | | | | | NSTW5006SS NSTW5006SSF |
| 7 | S&E Mount S&E No Mount | STR4007SS STR4007SSF | STR4007LS STR4007LSF | STR4507SS STR4507SSF | STR4507LS STR4507LSF | STW4507SS STW4507SSF | STW5007SS STW5007SSF |
| 8.5 | S&E Mount S&E No Mount | STR4008SS STR4008SSF | STR4008LS STR4008LSF | STR4508SS STR4508SSF | STR4508LS STR4508LSF | STW4508SS STW4508SSF | STW5008SS STW5008SSF |
| 10 | S&E Mount S&E No Mount | STR4010SS STR4010SSF | STR4010LS STR4010LSF | STR4510SS STR4510SSF | STR4510LS STR4510LSF | STW4510SS STW4510SSF | STW5010SS STW5010SSF |
| 11.5 | S&E Mount S&E No Mount | STR4011SS STR4011SSF | STR4011LS STR4011LSF | STR4511SS STR4511SSF | STR4511LS STR4511LSF | STW4511SS STW4511SSF | STW5011SS STW5011SSF |
| 13 | S&E Mount S&E No Mount | STR4013SS STR4013SSF | STR4013LS STR4013LSF | STR4513SS STR4513SSF | STR4513LS STR4513LSF | STW4513SS STW4513SSF | STW5013SS STW5013SSF |
| 15 | S&E Mount S&E No Mount | STR4015SS STR4015SSF | STR4015LS STR4015LSF | STR4515SS STR4515SSF | STR4515LS STR4515LSF | STW4515SS STW4515SSF | STW5015SS STW5015SSF |

01

Implant Stella



Abutment Screw



EASR01

Healing Abutment Recommended tightening torque : below 10Ncm

| H | RP Ø5.0 | WP Ø6.0 |
|---|------------|------------|
| 2 | STHAR20 | STHAW20 |
| 3 | STHAR30 | STHAW30 |
| 4 | STHAR40 | STHAW40 |

Simple Abutment Recommended tightening torque : 35Ncm

| | RP | WP |
|------|----------|----------|
| H4.0 | STSPAR40 | STSPAW40 |
| H5.5 | STSPAR55 | STSPAW55 |
| H7.0 | STSPAR70 | STSPAW70 |

Duo Abutment(Octa/Non-Octa)

Recommended tightening torque : 35Ncm

Octa

| | RP | WP |
|------|----------|----------|
| H4.0 | STDAR40C | STDAW40C |
| H5.5 | STDAR55C | STDAW55C |
| H7.0 | STDAR70C | STDAW70C |

Non-Octa

| | RP | WP |
|------|---------|---------|
| H4.0 | STDAR40 | STDAW40 |
| H5.5 | STDAR55 | STDAW55 |
| H7.0 | STDAR70 | STDAW70 |

Simple Abutment Healing Cap

Plastic



| | RP | WP |
|------|-----------|-----------|
| H4.0 | STSPHCR40 | STSPHCW40 |
| H5.5 | STSPHCR55 | STSPHCW55 |
| H7.0 | STSPHCR70 | STSPHCW70 |

Simple Abutment Impression Cap

Plastic



RP
STSPICR

WP
STSPICW

Simple Abutment Impression Coping Cap

Plastic



| | RP | WP |
|------|------------|------------|
| H4.0 | STSPICCR40 | STSPICCW40 |
| H5.5 | STSPICCR55 | STSPICCW55 |
| H7.0 | STSPICCR70 | STSPICCW70 |

Simple Abutment Shoulder Analog

Plastic



RP
ST SAR

WP
ST SAW

Simple Abutment Positioning Cylinder

Plastic



| | RP | WP |
|------|-----------|-----------|
| H4.0 | STSPPCR40 | STSPPCW40 |
| H5.5 | STSPPCR55 | STSPPCW55 |
| H7.0 | STSPPCR70 | STSPPCW70 |

Simple Abutment Shoulder Analog Pin

Brass



RP/WP
ST SAP

Simple Abutment Lab Analog

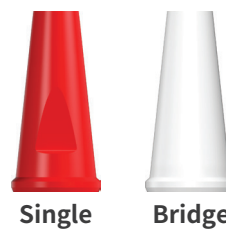
Titanium



| | RP | WP |
|------|-----------|------------|
| H4.0 | STSPAAR40 | STSPA AW40 |
| H5.5 | STSPAAR55 | STSPA AW55 |
| H7.0 | STSPAAR70 | STSPA AW70 |

Simple Abutment Burnout Cylinder

Plastic



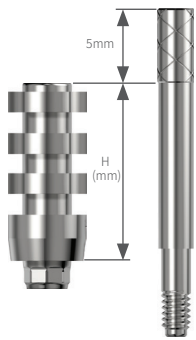
Single

Bridge

| | RP | WP |
|--------|----------|----------|
| Single | STSPBCRS | STSPBCWS |
| Bridge | STSPBCRB | STSPBCWB |

01

Implant Stella



* Guide Pin Included



STPICS00S STPICS00L

Impression Coping Pick-Up

Octa

| H | RP Ø4.8 | WP Ø6.0 |
|----|------------|------------|
| 8 | STPICRSC | STPICWSC |
| 12 | STPICRLC | STPICWLC |

Non-Octa

| H | RP Ø4.8 | WP Ø6.0 |
|----|------------|------------|
| 8 | STPICRS | STPICWS |
| 12 | STPICRL | STPICWL |



* Guide Pin Included



STTICS00S STTICS00L

Octa

| H | RP Ø4.8 | WP Ø6.0 |
|----|------------|------------|
| 7 | STTICRSC | STTICWSC |
| 10 | STTICRLC | STTICWLC |

Non-Octa

| H | RP Ø4.8 | WP Ø6.0 |
|----|------------|------------|
| 7 | STTICRS | STTICWS |
| 10 | STTICRL | STTICWL |

Analog

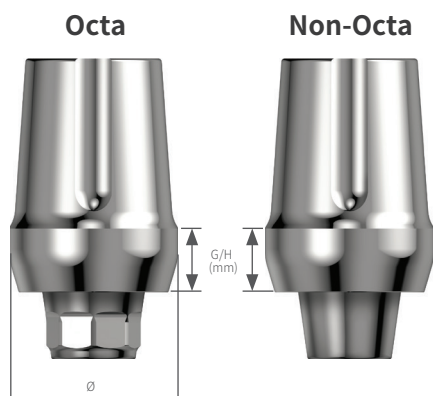


RP
STFAR

WP
STFAW

Contour Abutment(Octa/Non-Octa)

Recommended tightening torque : 35Ncm



Octa

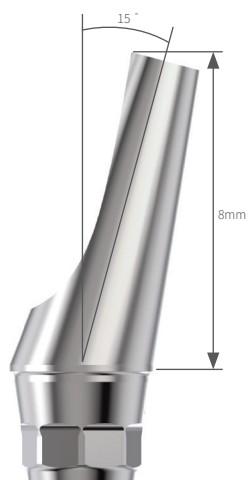
| | RP | WP |
|---------|-----------|-----------|
| G/H(mm) | Ø5.5 | Ø6.7 |
| 2 | STCTAR20C | STCTAW20C |
| 4 | STCTAR40C | STCTAW40C |

Non-Octa

| | RP | WP |
|---------|----------|----------|
| G/H(mm) | Ø5.5 | Ø6.7 |
| 2 | STCTAR20 | STCTAW20 |
| 4 | STCTAR40 | STCTAW40 |

Angled Abutment (Octa)

Recommended tightening torque : 35Ncm

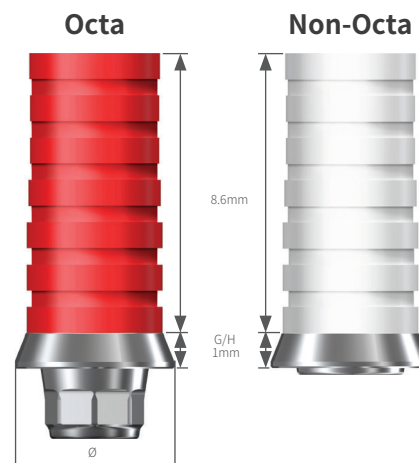


Octa

| | RP | WP |
|--|-----------|-----------|
| | STAGAR15C | STAGAW15C |

Goldcast Abutment(Octa/Non-Octa)

Recommended tightening torque : 35Ncm



Octa

| | RP | WP |
|--|---------|---------|
| | Ø4.8 | Ø6.0 |
| | STGCARS | STGCAWS |

Non-Octa

| | RP | WP |
|--|---------|---------|
| | Ø4.8 | Ø6.0 |
| | STGCARB | STGCAWB |

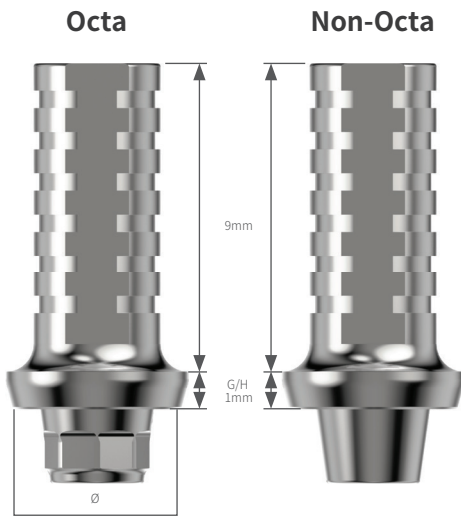
Abutment Screw



EASR01

01

Implant Stella



Abutment Screw



EASR01

Screw Abutment

Recommended tightening torque : 35Ncm



RP
STSCAR

WP
STSCAW

Temporary Abutment(Octa/Non-Octa)

Recommended tightening torque : 35Ncm

Octa

| RP Ø4.8 | WP Ø6.0 |
|-------------------|-------------------|
| STTPAR10C | STTPAW10C |

Non-Octa

| RP Ø4.8 | WP Ø6.0 |
|-------------------|-------------------|
| STTPAR10 | STTPAW10 |

Screw Abutment Healing Cap

Titanium



RP
STSCAHCR

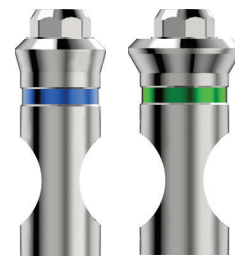
WP
STSCAHCW



Screw
STSCAS

Screw Abutment Analog

Titanium

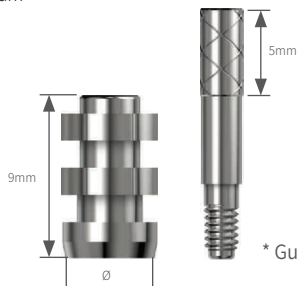


RP
STSCAAR

WP
STSCAAW

Screw Abutment Impression Coping Pick-Up

Titanium



Octa

| RP | WP |
|-----------|-----------|
| Ø4.8 | Ø6.0 |
| STSCPICRS | STSCPICWS |

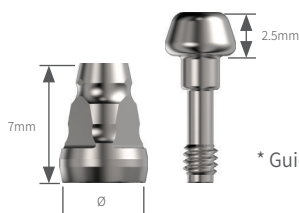
Non-Octa

| RP | WP |
|-----------|-----------|
| Ø4.8 | Ø6.0 |
| STSCPICRB | STSCPICWB |

* Guide Pin Included

Screw Abutment Impression Coping Transfer

Titanium



Octa

| RP | WP |
|----------|----------|
| Ø4.8 | Ø6.0 |
| STSTICRS | STSTICWS |

* Guide Pin Included

Screw Abutment Gold Cylinder

Gold Alloy + Plastic



Octa

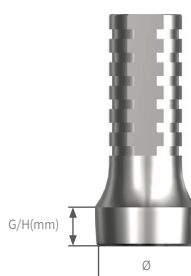
| RP | WP |
|--------|--------|
| Ø4.8 | Ø6.0 |
| STGCRS | STGCWS |

Non-Octa

| RP | WP |
|--------|--------|
| Ø4.8 | Ø6.0 |
| STGCRB | STGCWB |

Screw Abutment Temporary Cylinder

Titanium



Octa

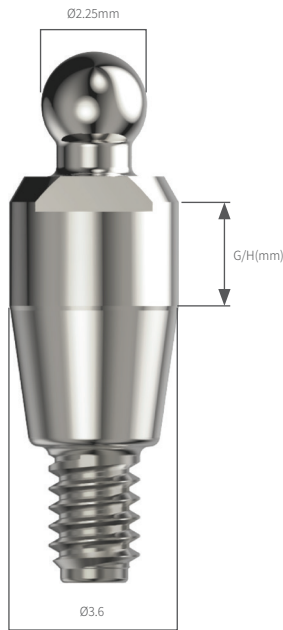
| | RP | WP |
|---------|----------|----------|
| G/H(mm) | Ø4.8 | Ø6.0 |
| 0 | STTCR00S | STTCW00S |
| 2.0 | STTCR20S | STTCW20S |

Non-Octa

| | RP | WP |
|---------|----------|----------|
| G/H(mm) | Ø4.8 | Ø6.0 |
| 0 | STTCR00B | STTCW00B |
| 2.0 | STTCR20B | STTCW20B |

01

Implant Stella



Ball Abutment

Recommended tightening torque : 35Ncm

| RP | |
|---------|----------|
| G/H(mm) | Ø3.6 |
| 0 | STBLAR00 |
| 2 | STBLAR20 |
| 4 | STBLAR40 |

Ball Abutment Analog

Stainless Steel



BAA45

Ball Abutment Impression Cap

Plastic



BAT00

Torque Wrench Ball Abutment Adapter



TWBA00

Ball Abutment Socket

Titanium



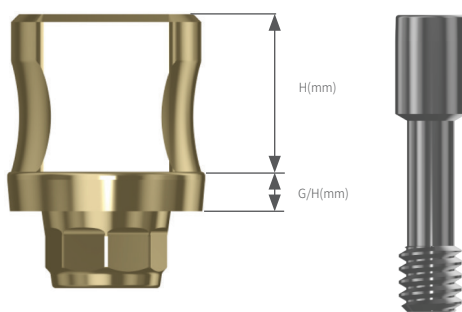
236869-Ball Abutment Socket(Dalbo)
(CM Dalbo Plus Female)

Ball Abutment Socket Driver



BASD00

Bite Impression Coping (Internal Non-Submerged)



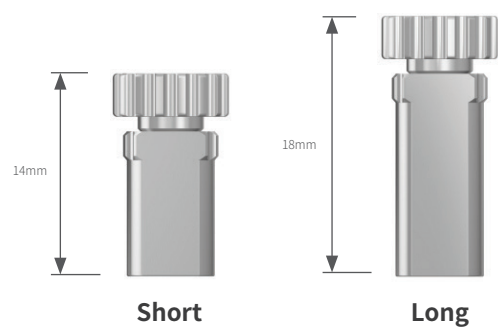
RP **WP**
Ø5.0 Ø6.0



| H | 3 | 4 | 4 | 6 |
|-----|------------|------------|------------|------------|
| G/H | 1 | 1 | 2 | 2 |
| | STBCR5031C | STBCR5041C | STBCR5042C | STBCR5062C |
| | STBCW6031C | STBCW6041C | STBCW6042C | STBCW6062C |

Bite Impression Coping Driver

| Type | Short (14mm) | Long (18mm) |
|------|--------------|-------------|
| | BCD14 | BCD18 |



01

Implant Stella

Straumann ITI (Internal Non-Submerged)



Ø4.0

| | | | | |
|-----|------------|------------|------------|------------|
| | | | | |
| H | 3 | 4 | 4 | 6 |
| G/H | 1 | 1 | 2 | 2 |
| | TTBCN5031R | TTBCN5041R | TTBCN5042R | TTBCN5062R |



Ø5.0

| | | | | |
|-----|------------|------------|------------|------------|
| | | | | |
| H | 3 | 4 | 4 | 6 |
| G/H | 1 | 1 | 2 | 2 |
| | TTBCR5031C | TTBCR5041C | TTBCR5042C | TTBCR5062C |

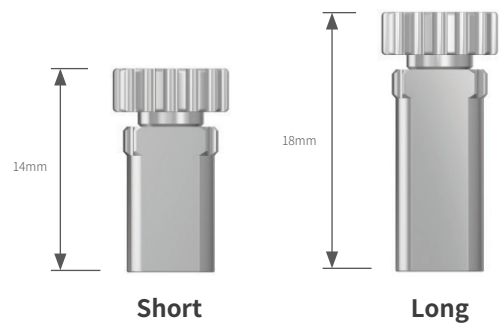


Ø6.5

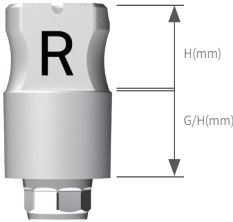
| | | | | |
|-----|------------|------------|------------|------------|
| | | | | |
| H | 3 | 4 | 4 | 6 |
| G/H | 1 | 1 | 2 | 2 |
| | TTBCW6631C | TTBCW6641C | TTBCW6642C | TTBCW6662C |

Bite Impression Coping Driver

| Type | Short (14mm) | Long (18mm) |
|------|--------------|-------------|
| | BCD14 | BCD18 |



ScanBody



| | RP | WP |
|-----|------------|------------|
| H | 4 | 4 |
| G/H | 4 | 4 |
| | STSBR5044C | STSBW6044C |

Digital Lab Analog



| RP | WP |
|-------|-------|
| STDAR | STDAR |

Positioning Driver



01

Implant S-Mono

OneBody Mini Implant

Features

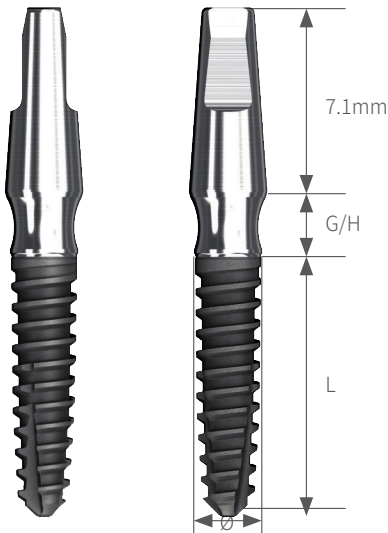
- Suitable for narrow bone width in the anterior maxilla and mandible.
- High-strength, one-piece design for mastication pressure.
- RBM Surface for rapid osseointegration.

Precautions

- It is recommended that both ends of the implant's upper section face the buccal and lingual sides.
- Do not exceed an insertion torque of 45 Ncm.

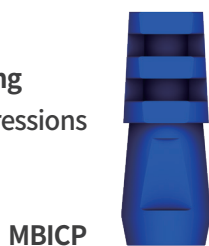


S-Mono

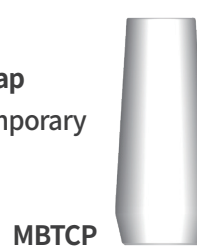


| Length (mm) | G/H (mm) | Ø2.5 | Ø3.0 |
|-------------|----------|----------|----------|
| 8.5 | 2.5 | MB2508SR | MB3008SR |
| 10 | | MB2510SR | MB3010SR |
| 11.5 | | MB2511SR | MB3011SR |
| 13 | | MB2513SR | MB3013SR |
| 8.5 | 4 | MB2508LR | MB3008LR |
| 10 | | MB2510LR | MB3010LR |
| 11.5 | | MB2511LR | MB3011LR |
| 13 | | MB2513LR | MB3013LR |

Impression Coping
Used to take impressions



Temporary Cap
Used for a temporary prosthesis



Lab Analog
Used for dental laboratory



S-Mono Surgical Kit



S-Mono Kit (MBKT)

Drill Extension



Point Drill



Ø1.8 Drill Short



Ø1.8 Drill Long



Ø2.3 Drill Short



Ø2.3 Drill Long



Direction Indicator



Fixture Driver T/W



Fixture Driver H/P

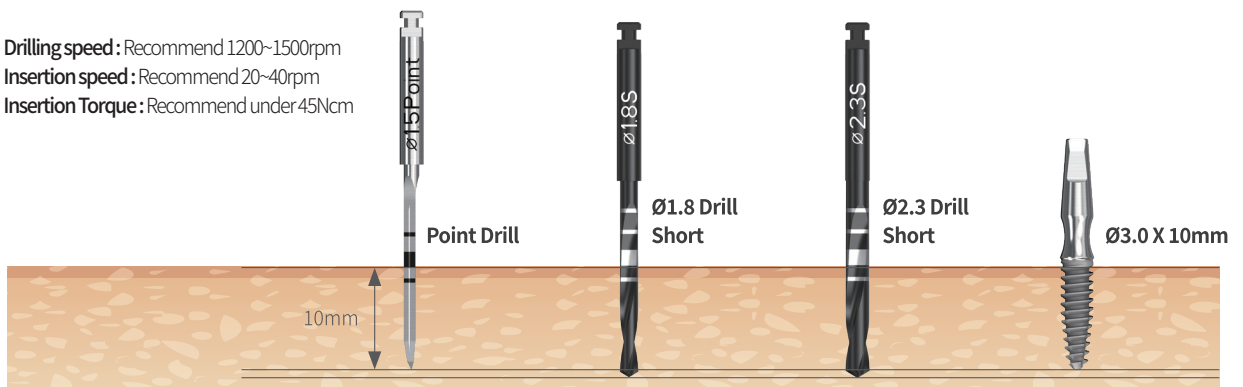


Torque Wrench
(Option)



S-Mono Surgical Procedure

- Drilling speed: Recommend 1200~1500rpm
- Insertion speed: Recommend 20~40rpm
- Insertion Torque: Recommend under 45Ncm



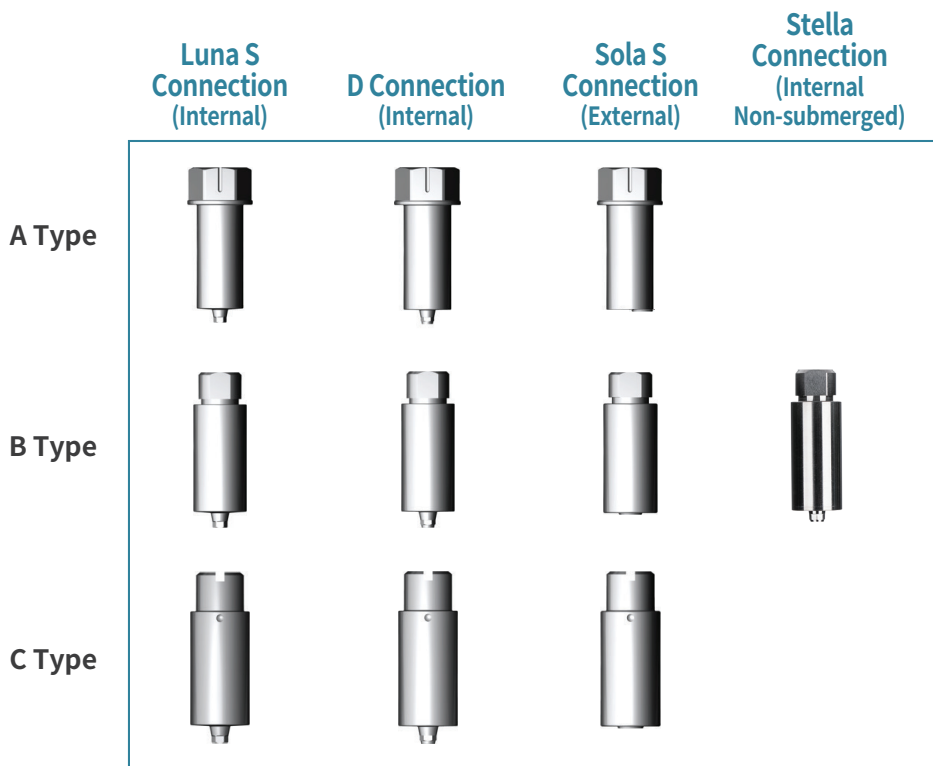
| | Bone quality | Point Drill | Ø1.8 Drill | Ø2.3 Drill | Fixture |
|------|--------------|-------------|------------|------------|---------|
| Ø2.5 | Soft | ○ | | | |
| | Medium | ○ | ○ | | |
| | Dense | ○ | ○ | | |
| Ø3.0 | Soft | ○ | ○ | | |
| | Medium | ○ | ○ | ○ | |
| | Dense | ○ | ○ | ○ | |

Implant Customized Abutment Ti Block

Ti Block

Packing unit 1 Abutment and 2 Screws

- Types of Jigs**
- A Type: Dentaim (Zmatch)
 - B Type: Arum Dentistry(Arum 5X-300)
 - C Type: Manix (ZX-4SM)



| Type | Luna S Connection (Internal) | | | | D Connection (Internal) | | Sola S Connection (External) | | | | | | Stella Connection | |
|--------|------------------------------|----------|----------|----------|-------------------------|----------|------------------------------|----------|----------|----------|----------|----------|-------------------|----------|
| | NP | | RP | | RP | | NP | RP | | WP | | RP | | |
| Dia | Ø10 | Ø14 | Ø10 | Ø14 | Ø10 | Ø14 | Ø10 | Ø14 | Ø10 | Ø14 | Ø10 | Ø14 | Ø10 | |
| A type | Hex | ATBN10S | ATBN14S | ATBR10S | ATBR14S | ATBR10D | ATBR14D | AETBN10S | AETBN14S | AETBR10S | AETBR14S | AETBW10S | AETBW14S | |
| | Non-Hex | ATBN10SN | ATBN14SN | ATBR10SN | ATBR14SN | ATBR10DN | ATBR14DN | | | | | | | |
| B type | Hex | BTBN10S | BTBN14S | BTBR10S | BTBR14S | BTBR10D | BTBR14D | BETBN10S | BETBN14S | BETBR10S | BETBR14S | BETBW10S | BETBW14S | BTTBR10S |
| | Non-Hex | BTBN10SN | BTBN14SN | BTBR10SN | BTBR14SN | BTBR10DN | BTBR14DN | | | | | | | |
| C type | Hex | CTBN10S | CTBN14S | CTBR10S | CTBR14S | CTBR10D | CTBR14D | CETBN10S | CETBN14S | CETBR10S | CETBR14S | CETBW10S | CETBW14S | |
| | Non-Hex | CTBN10SN | CTBN14SN | CTBR10SN | CTBR14SN | CTBR10DN | CTBR14DN | | | | | | | |
| Screw | | SASN | | TBASLS | | TBASDL | | EASN01 | | EASR01 | | EASW01 | | EASR01 |



Kit & Instruments SISK Kit

Product Code: SISK



Ø1.8/2.3 Lindemann Drill

- LLD2307
- LLD2308
- LLD2310
- LLD2311
- LLD2313
- LLD2315

Ø3.5 Drill

- LSD3507
- LSD3508
- LSD3510
- LSD3511
- LSD3513
- LSD3515

Ø4.0 Drill

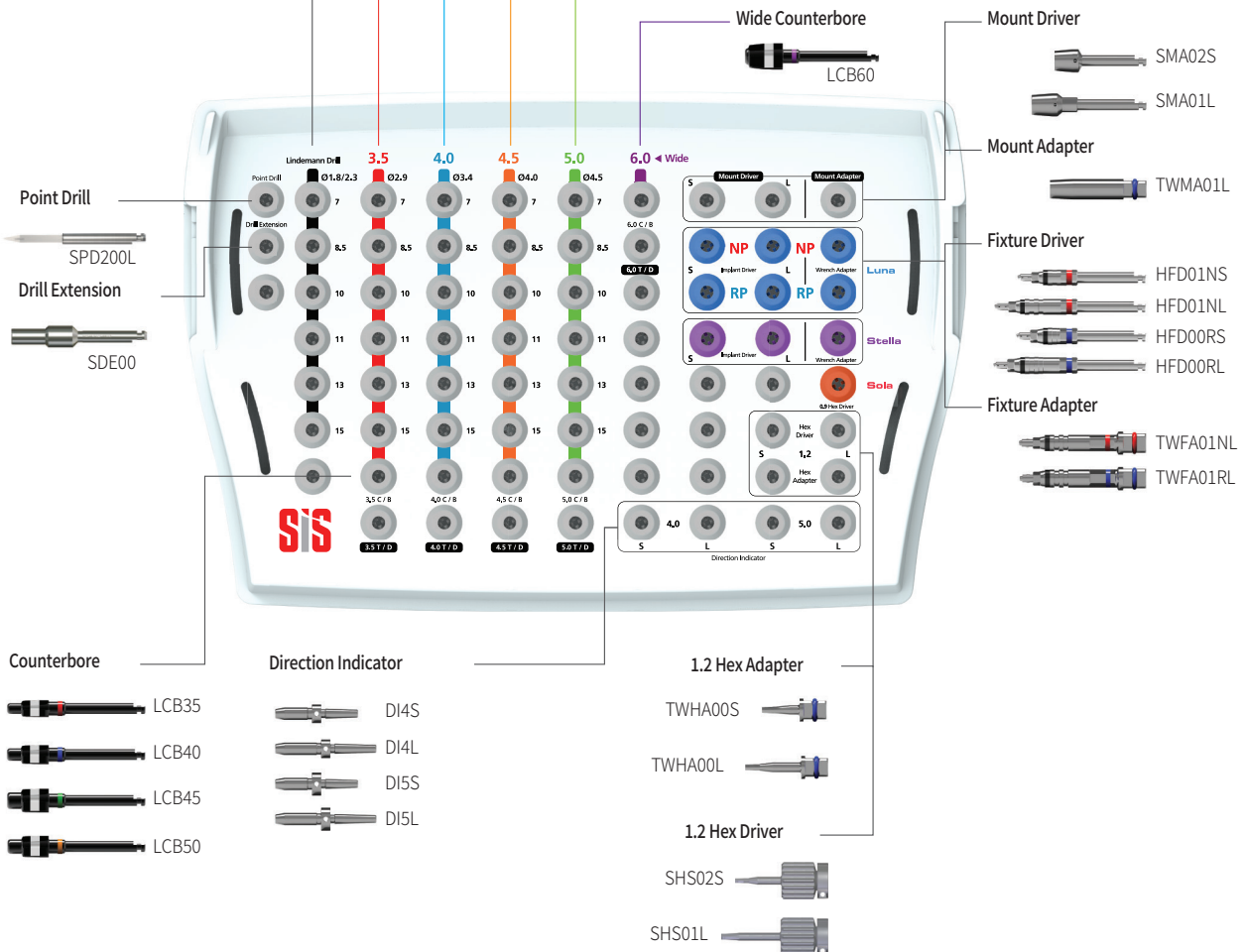
- LSD4007
- LSD4008
- LSD4010
- LSD4011
- LSD4013
- LSD4015

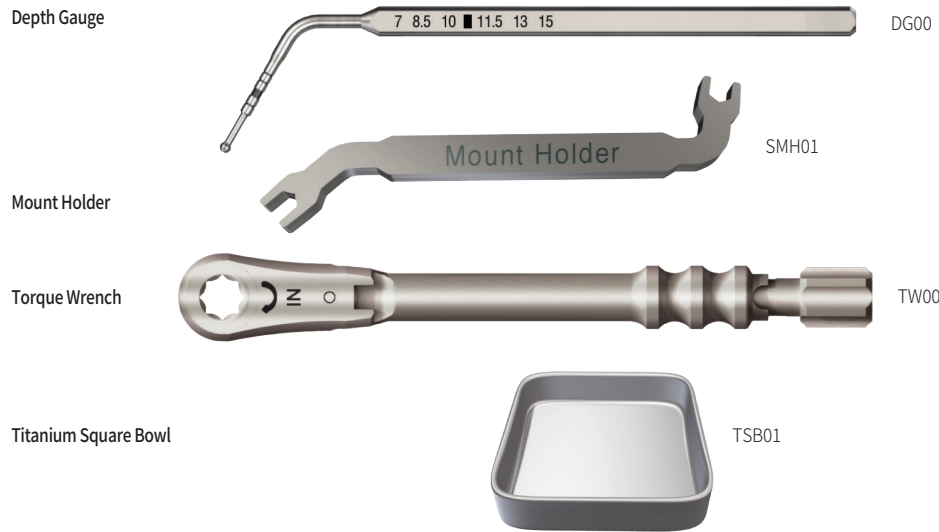
Ø4.5 Drill

- LSD4507
- LSD4508
- LSD4510
- LSD4511
- LSD4513
- LSD4515

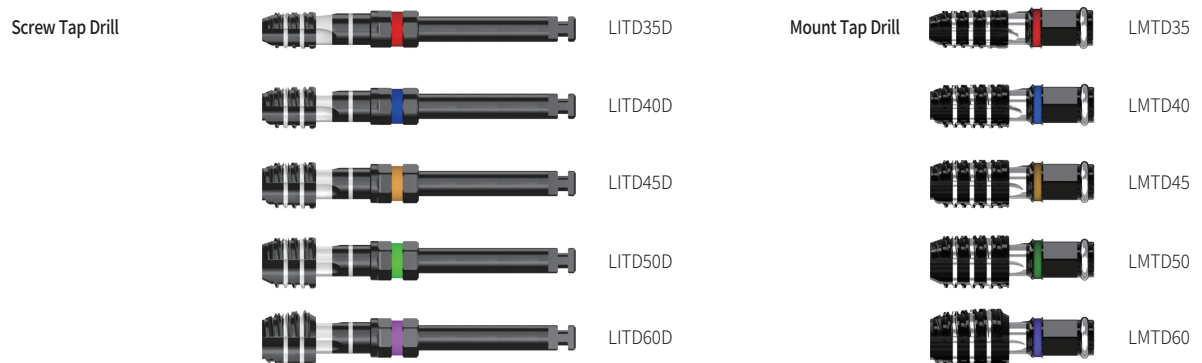
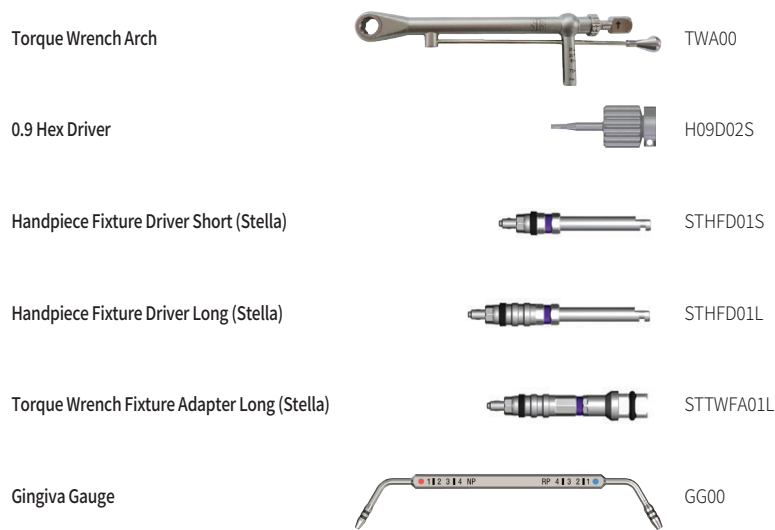
Ø5.0 Drill

- LSD5007
- LSD5008
- LSD5010
- LSD5011
- LSD5013
- LSD5015

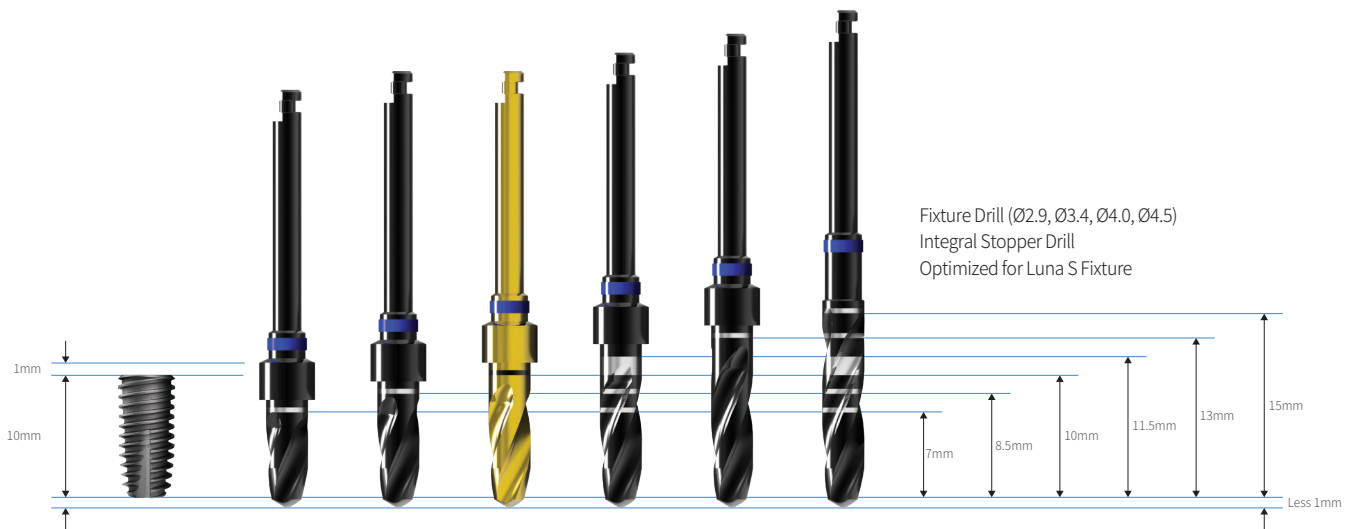
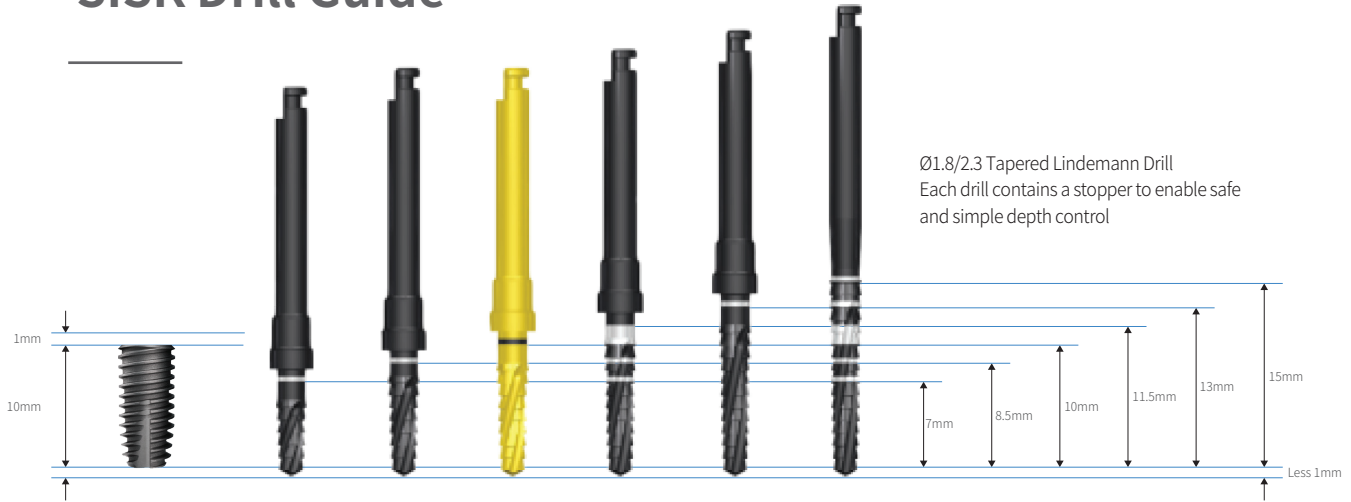




Instruments Purchased Separately



Kit & Instruments SISK Drill Guide



The distance between making position and stopper is 1mm
The commonly used 10mm drill is coated with Tin (Yellow color) for easy distinction
10, 8.5, 10, & 11.5mm marks on 11.5mm drill for a short-length fixture operation
7, 8.5, 10, 11.5, 13, & 15mm marks on 15mm drill for all length operations

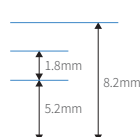
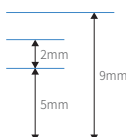
Ø3.5

Ø4.0

Ø4.5

Ø5.0

Ø6.0



Used for 3 different types of bone quality
-Medium / Hard / Extra Hard
Counter Bore (Ø3.5, Ø4.0, Ø4.5, Ø5.0, Ø6.0)
Enhanced cutting force
Optimized for the upper part of Luna S Fixture

Instruments & Materials

Standard KIT

Product Code: SDK









| | | |
|---------------------|---|---------------|
| Point Drill |  | SPD200L |
| Lindemann Drill |  | LLD2315 |
| Drill Extension |  | SDE00 |
| 1.2 Hex Driver Long |  | SHS01L (26mm) |







Torque Wrench Arch



UTWR00 (Optional)



| | | |
|--------------------|---|---------|
| F3.5 Stopper Drill |  | LSD3515 |
| F4.0 Stopper Drill |  | LSD4015 |
| F4.5 Stopper Drill |  | LSD4515 |
| F5.0 Stopper Drill |  | LSD5015 |
| F3.5 Counterbore |  | LCB35 |
| F4.0 Counterbore |  | LCB40 |
| F4.5 Counterbore |  | LCB45 |
| F5.0 Counterbore |  | LCB50 |

| | | |
|-------------------------------|---|------------------|
| Handpiece Fixture Driver NP |  | HFD01NL (33.1mm) |
| Handpiece Fixture Driver RP |  | HFD00RL (33mm) |
| Ratchet Fixture Driver NP |  | TWFA02NS |
| Ratchet Fixture Driver RP |  | TWFA02RS |
| Direction Indicator 4.0 Short |  | DI4S |
| Direction Indicator 4.0 Short |  | DI4L |

02

Instruments & Materials Short Drill KIT

Product Code: SDK



Twist Drill Ø2.0 x 4mm



SSD2004

Twist Drill Ø2.0/4.0 x 6.2mm



SSD2406

Stopper Drill F5.0 x 6.2mm



SSD5006

Counterbore 5.0 Short



LCB50S

Counterbore 6.0



LCB60

Drill Stopper 5mm



SIST05

Drill Stopper 4mm



SIST05

Instruments Purchased Separately

Torque Wrench



TW00

evertis

SHINHUNG IMPLANT

Kit & Instruments S-Guide Kit

Product code: SGK

- For Ø3.5-5.0 fixture
- 2 kinds of tools (under F4.5, only for F5.0)



Kit Components

Twist Drill R

| | | | |
|------------------|------------------|------------------|------------------|
| R Ø2.2 7-13mm | R F3.5 7-13mm | R F4.0 7-13mm | R F4.5 7-13mm |
|------------------|------------------|------------------|------------------|

Twist Drill W

| | | |
|------------------|------------------|------------------|
| W F3.5 7-13mm | W F4.5 7-13mm | W F5.0 7-13mm |
|------------------|------------------|------------------|

Flat Drill W

Initial Drill W

Cortical Drill W

Flat Drill R

Initial Drill R

Cortical Drill R

Tissue Punch

R 3.5

R 4.5

W 4.0

W 5.0

S-GUIDE KIT

Sleeve Handle
*For anchor drilling guide

R

W

Fixture Adapter

N

R

R/W

Fixture Driver

N

R

R/W

1.2 Hex Driver

Handle

T/W S

T/W L

Anchor Driver

Anchor Drill

Drill Extension

Anchor Screw

Short

Long

Fixation Mount

N

R

R/W

Sleeve

R

W

Metal Sleeve (Optional)

R

Hole(Ø5.1)

W

Hole(Ø5.8)

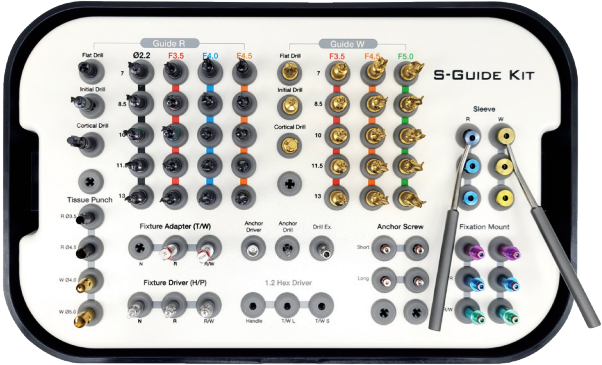
SSGR50C

SSGW50C

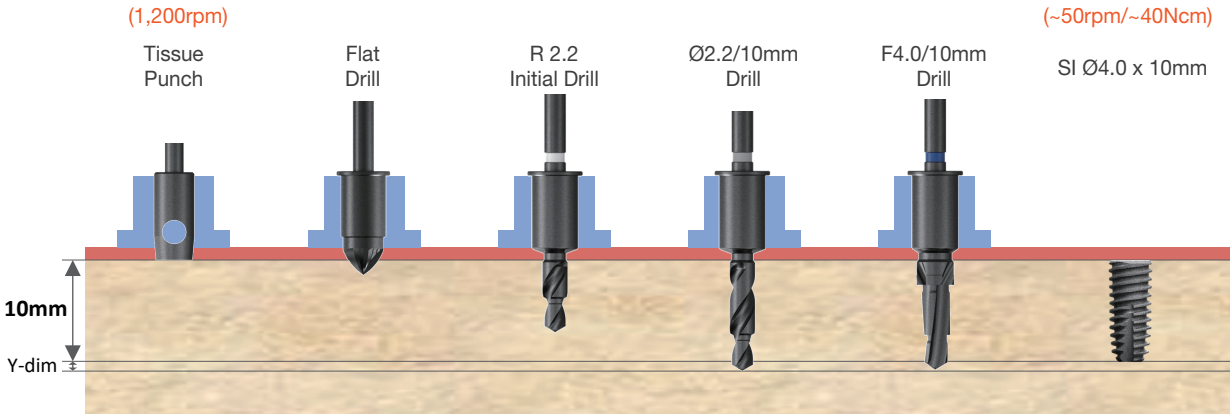
Instruments & Materials

S-Guide KIT

- For Ø3.5~5.0 Fixture
- 2 kinds of tools (under F4.5, only for F5.0)



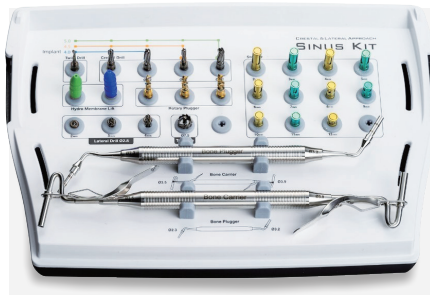
Surgical Procedure



| Fixture Diameter | Bone Density | Tissue Punch R | Flat R | Initial R | 2.2 R | 3.5 R | 4.0 R | 4.5 R | Cortical R | Fixture |
|------------------|--------------|----------------|--------|-----------|-------|-------|-------|------------|------------|-------------------|
| F3.5 | Soft | | | | ★ | | | | | Implant Placement |
| | Normal | ★ | ★ | ★ | | ★ | | | | |
| | Hard | | | | | ★ | ★ | | | |
| F4.0 | Soft | | | | | ★ | | | | |
| | Normal | ★ | ★ | ★ | ★ | | ★ | | | |
| | Hard | | | | | | ★ | ★ | | |
| F4.5 | Soft | | | | | | ★ | | | |
| | Normal | ★ | ★ | ★ | ★ | ★ | | ★ | | |
| | Hard | | | | | | | ★ | ★ | |
| Fixture Diameter | Bone Density | Tissue Punch W | Flat W | Initial W | 3.5 W | 4.5 W | 5.0 W | Cortical W | | |
| F5.0 | Soft | | | | | | ★ | | | |
| | Normal | ★ | ★ | ★ | ★ | ★ | | ★ | | |
| | Hard | | | | | | | ★ | ★ | |

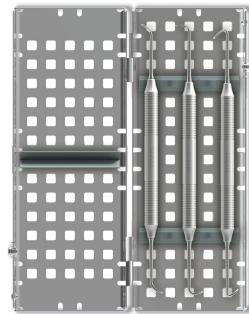
Kit & Instruments SIS Sinus Crestal & Lateral Kit

The SIS Sinus Kit is specially designed for successful Crestal & Lateral Sinus Membrane Lifting operation. It enables a quick and easy cutting of the Sinus Floor and allows safe hydraulic lifting of the Sinus Membrane using Hydro Membrane Lift.



Sinus Crestal Kit

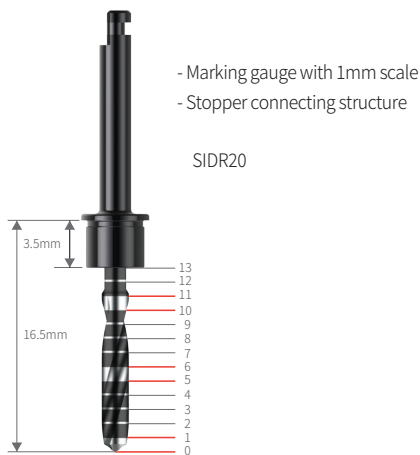
SSCA00
*Lateral Drill Set option



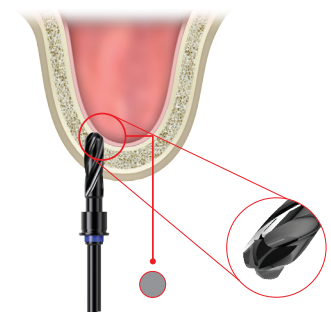
Sinus Curette Set

SHSC

Ø2.0 Twist Drill



Sinus Drill



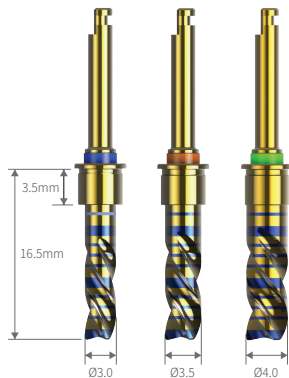
Sinus Floor Hole shaped
When using Dome Type Sinus Drill,
it decreases the risk of
membrane perforation
and forms Sinus Floor Hole
in a round shape

- A Round Dome Type drill which allows rapid cutting of the Sinus Floor and protects the Sinus Membrane during Maxillary sinus surgery
- 4 types of Sinus Drill depending on the diameter for sufficient fixation when placing implants(Ø4.0, 4.5, 5.0) in Maxillary sinus surgery
- Easy to remove even on inclined planes
- Stopper connecting structure
- Rotational speed : 400-600 rpm

SIDR27, SIDR32, SIDR37, SIDR42

SIS Sinus Crestal & Lateral Kit

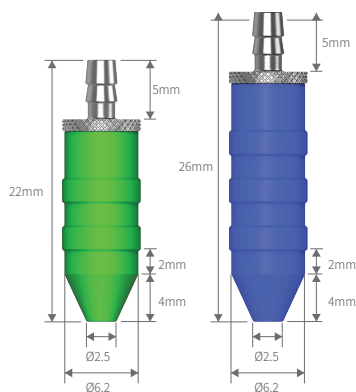
Rotary Pluggers



- Using a counter-rotating screw, the bone graft material can be easily lifted with little pressure.
- It can clean around the entrance when the sinus floor partially penetrated
- After an initial bone grafting, it enters into the maxillary sinus and allows bone grafting in a wide dome shape.
- Stopper can be connected.
- SKRP32, SKRP37, SKRP42



Hydro Membrane Lift



- With Sinus Drill, it is possible to check if a hole has been created in the Sinus Floor through hydraulic pressure.
- If a hole is created, elevation of the sinus membrane is performed through hydraulic pressure.
- It consists of 2 Types : Long Type and Short Type.
- Can be applied to both Sinus Crestal and Lateral Approach.
- Minimize the damage of the membrane.
- SHMLS, SHMLL



▲ Sinus Crestal Approach

▲ Sinus Lateral Approach

Stoppers

- It has 11 types from 2mm to 12mm with 1.0mm intervals based on the height of protrusion of the Drill Tip
- Different colors depending on length for distinction purposes; Yellow for Even length, and Green for Odd length
- Stopper-connected products : Ø2.0 Twist Drill, 4 types of Sinus Drill, 3 types of Rotary Plugger, Bone Plugger, and Depth Gauge



| Protruding height | 2mm | 3mm | 4mm | 5mm | 6mm | 7mm | 8mm | 9mm | 10mm | 11mm | 12mm |
|-------------------|--------|--------|--------|--------|--------|--------|--------|--------|---------|---------|---------|
| Product Code | SIST02 | SIST03 | SIST04 | SIST05 | SIST06 | SIST07 | SIST08 | SIST09 | SIST010 | SIST011 | SIST012 |

Kit & Instruments SIS Sinus Crestal & Lateral Kit

Bone Carrier



SKBC00

Bone Plugger



SKBP00

Depth Gauge



- Used to check the penetration of the sinus floor and the perforation of the sinus inferior border
- Stopper connecting structure

SKDG00

Titanium Bowl



TSB01

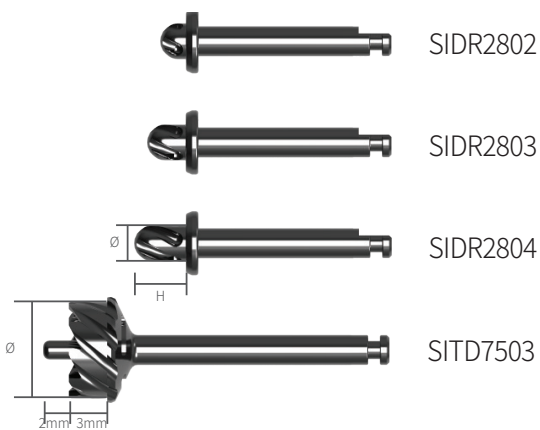
Instruments Purchased Separately



ST32-Silicon Tube/Sinus kit(5/pkg)

SIS Sinus Lateral Components

Lateral Drills & Trepine Drill



Lateral Drills

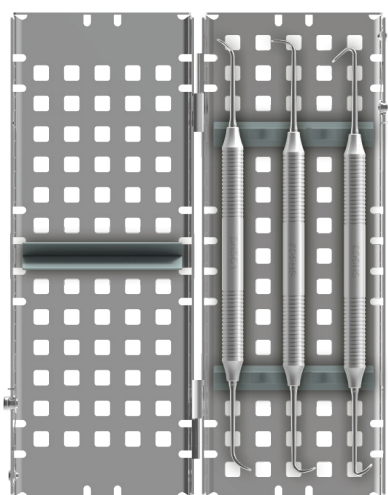
- Ø2.8 / Length : 2mm, 3mm, 4mm
- Drilling depth is controlled with an effective stopper system.
- With Round Dome Type drill, Sinus Floor can be cut precisely and rapidly

SIDR2802, SIDR2803, SIDR2804

Trepine Drill

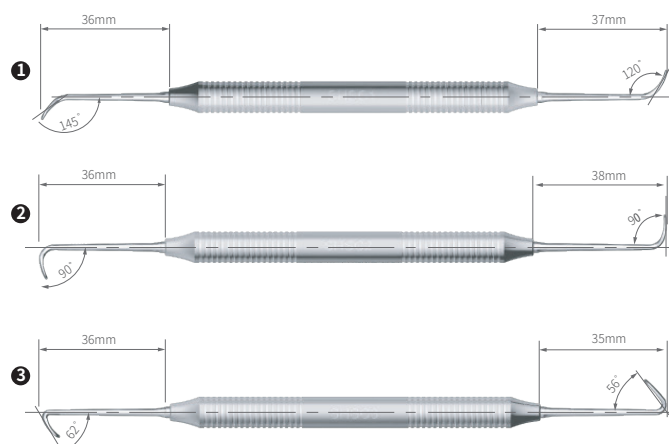
- Ø7.5 / Guide 2mm, Total 5mm
- Minimizes damage to the maxillary sinus mucosa and shorten the treatment time

SITD7503



Sinus Curette Set
SHSC

Sinus Curettes



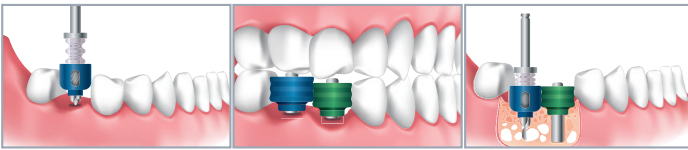
02

Kit & Instruments Implant Guide Kit

Product code: SIGK

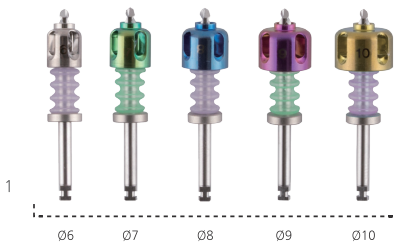
- Used for checking crown size and angulation of implant placement
- Provides placement guidance with one drilling procedure
- Guides angulation for 4 surfaces (mesial, distal, lingual and buccal)

Direction for use

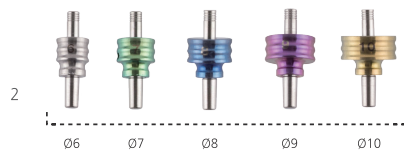


COMPONENTS

Crown Guide Drill (Ø2.7)



Crown Guide Pin



Crest Trimmer

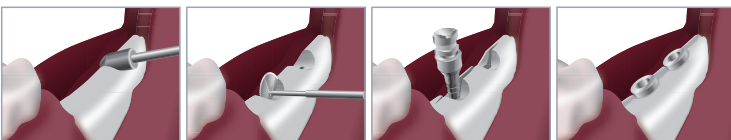


Bone Expander Kit

Product code: SBK

- Expands narrow bone ridge or bad bony tissue
- Reversed thread system on the Expander provides better stability of the fixture
- Helps initial fixation on low density bones by compressing the bone outward

Direction for use



Crest Trimmer

Recommend 800-1200RPM

Sawing

Recommend 800-1200RPM

Expanding

Recommend 30-50RPM

Insert Implant



COMPONENTS

Crest Trimmer



Saw Ø10



Drill



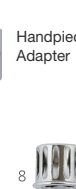
Expander



Ratchet



Ratchet Adapter



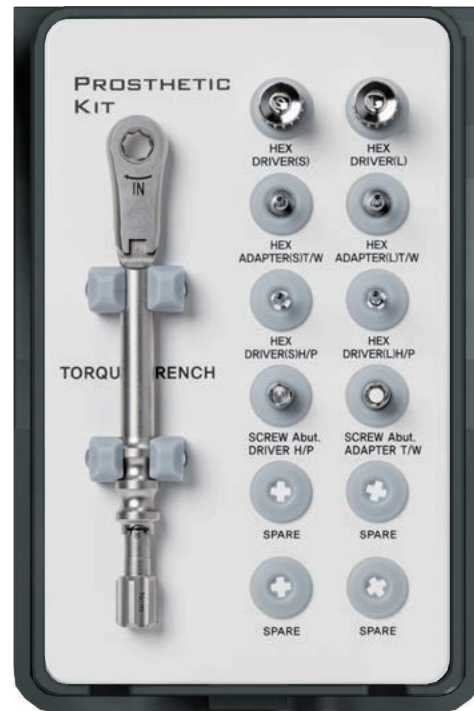
Handpiece Adapter



Hand/Ratchet Adapter

Kit & Instruments Prosthetic Kit

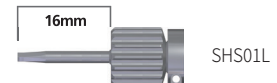
Product Code: SLPK02



Hex Driver Short(13mm)



Hex Driver Long(16mm)



Handpiece Hex Driver Short



Handpiece Hex Driver Long



Torque Wrench Hex Adapter Short



Torque Wrench Hex Adapter Long



Handpiece Mount Driver Short



Torque Wrench Mount Adapter Short



Torque Wrench



02







Kit & Instruments Universal Prosthetic Kit

Product code: UPK00

- Consists of drivers that are compatible with all major implant brands
- Reduces carrying many different implant systems
- Helps tighten clinical and prosthetic screws to get the correct torque value



COMPONENTS

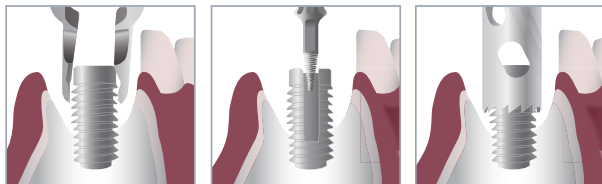
| PRODUCT | COMPATIBLE IMPLANT | PICTURE | SIZE |
|-----------------|---|---|---------|
| 1.2 Hex Driver | SIS / Neo biotech/ Biomet 3i/ Dentsply - Frident, Xive/ Osstem, DIO / Megagen |  | |
| 1.25 Hex Driver | Biohorizons / Zimmer / Astra / Implant Direct Legacy / Camlog / MIS / Dentis / Dentiu |  | |
| SCS Driver | Straumann / Implant Direct Replant |   | 10/15mm |
| Unigrip Driver | Nobel Biocare, Implant Direct Swishplait / Southern Implants / Neoss |   | |
| Ratchet | |  | |

Fixture Remover Kit

Product code: SFRK

- Removes fixture to preserve the surgery area to place a new one
- Fixture can be removed by the Implant Forcep or the Fixture Remover
- In case of damage in the fixture connection, Trepine Drills are available to remove the fixture

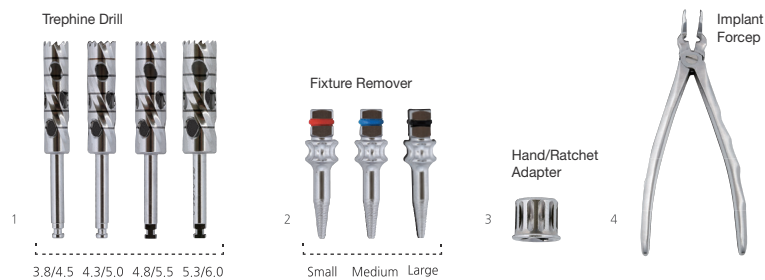
Direction for use



Implant Forcep CASE Implant Remover CASE Trepine CASE



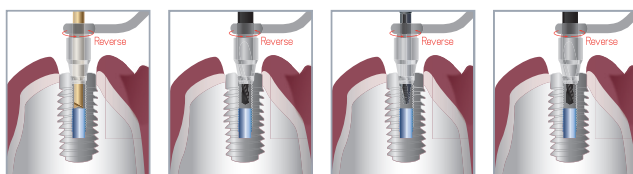
COMPONENTS



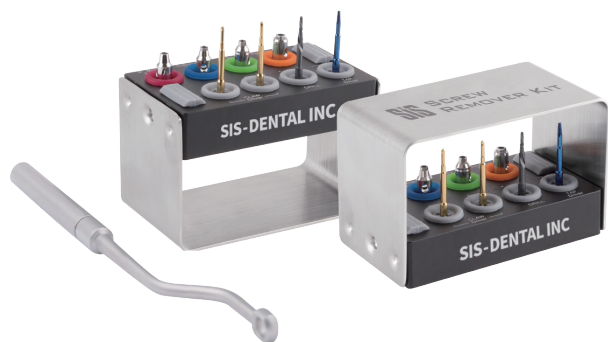
Screw Remover Kit

Product code: SSRK

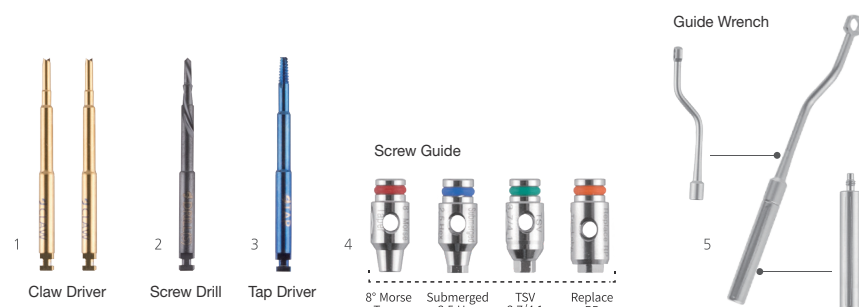
- Removes broken screws to save the implant
- Works for all major implant brands



Claw Driver CASE Screw Drill Top Driver CASE Screw Drill



COMPONENTS



02

Kit & Instruments Repair Kit

Product Code: SRK00

- Used to remove abutments or screw fractures



Luna Drill Guide NP



RKLNGN

Luna Drill Guide RP



RKLNGR

Sola Drill Guide NP



RKSLGN

Sola Drill Guide RP



RKSLGR

Stella Drill Guide RP



RKSTG

M Internal Drill Guide



RKMIG

Screw Removal Drill NP



RKSRDN

Screw Removal Drill RP



RKSRDR

Removal Round Drill



RKRRD

Screw Remover Tap



RKSRT

Abutment Remover NP



RKARN

Abutment Remover RP



RKARR

Guide Holder



RKGH00

SIS Bone Profiler

Characteristics

- Removing excess bone around the implant head and connection
- No need for a guide pin / No connection to the fixture
- Contouring the crest of bone at the osteotomy site for proper seating of the abutments, impression copings and the final prosthetics
- Removing excess bone without damaging the implant shoulders

How to Use

- Connect to the engine handpiece
- Rotational speed: Recommended below 400rpm
- Direction of Rotation: clockwise

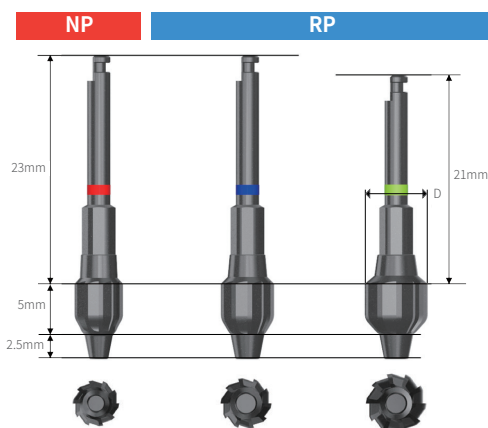
- * Bones can be removed by rotating Bone Profiler Handle manually
- * Improve the efficiency by reducing the hassle of setting the motor for secondary surgery

BONE PROFILER HANDLE
Product Code : ^273495



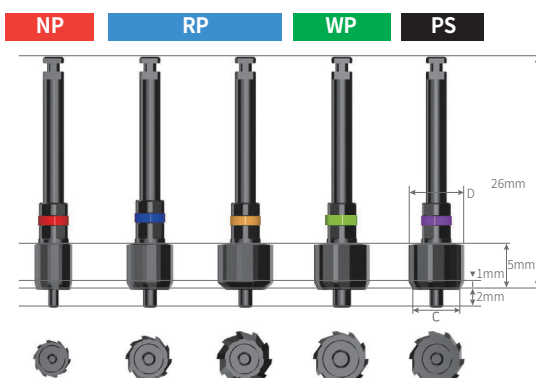
Line-up

Luna S Internal



| Diameter of Fixture | Maximum Diameter(D) | Diameter of Healing Abutment | Product Code |
|---------------------|---------------------|------------------------------|--------------|
| NP Ø3.5 | Ø5.0 | Ø4.0/4.5 | SBPN50A |
| RP Ø4.0 / 4.5 | Ø5.5 | Ø4.0/4.5/5.0 | SBPR55A |
| RP Ø5.0 | Ø6.5 | Ø6.0 | SBPR65A |

Sola S External



| Diameter of Fixture | Maximum Diameter(D) | Connection Diameter(C) | Diameter of Healing Abutment | Product Code |
|---------------------|---------------------|------------------------|------------------------------|--------------|
| NP Ø3.5 | Ø4.2 | Ø3.7 | Ø4.0 | EBPN42 |
| RP Ø4.0 | Ø5.2 | Ø4.3 | Ø5.0 | EBPR52 |
| RP Ø4.0 | Ø6.2 | Ø4.3 | Ø6.0 | EBPR62 |
| WP Ø5.0 / 6.0 | Ø6.2 | Ø5.3 | Ø6.0 | EBPW62 |
| PS Ø5.0 | Ø6.2 | Ø5.2 | Ø6.0 | EBPI62 |



evertis

IMPLANT CATALOGUE

SHINHUNG 

SHINHUNG MST 

Made in Korea

evertis
SHINHUNG IMPLANT

evertis

SHINHUNG IMPLANT



Shinhung.co.,Ltd.

450, Cheongpa-ro, Jung-gu, Seoul, Korea

Tel : 82-2-6366-2041 / Fax : 82-2-6366-2131

E-mail: export@shinhung.co.kr

www.shinhungimplant.com

We reserve the rights to modify the design or specification without prior notice to allow for the improvement.